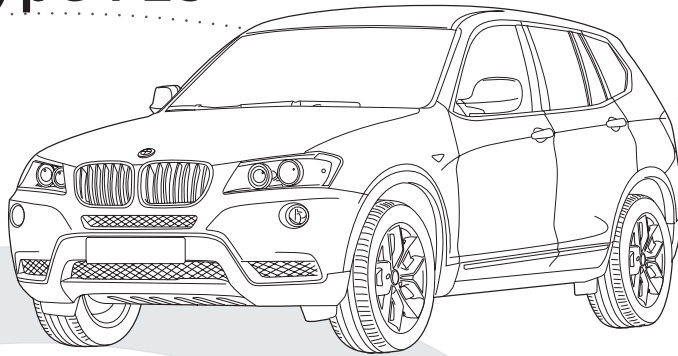




## BMW X3 Type F25

09/'10-10/'17

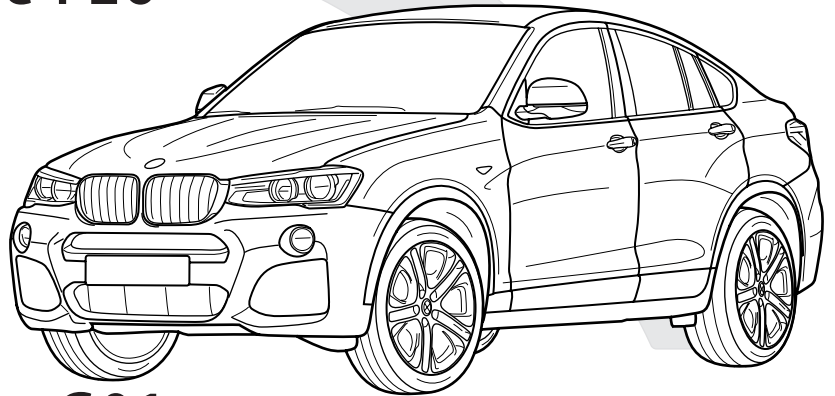
- ✓ STANDARD
- ✓ M SPORT PACKAGE



## BMW X4 Type F26

07/'14-03/'18

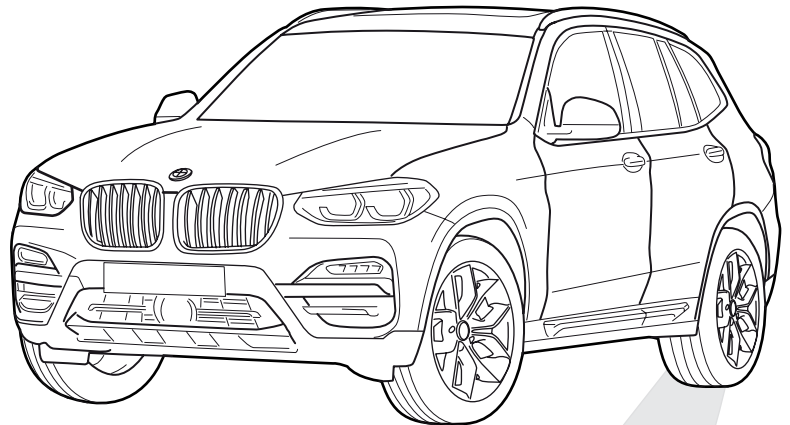
- ✓ STANDARD
- ✓ M SPORT PACKAGE



## BMW X3 Type G01

10/'17-

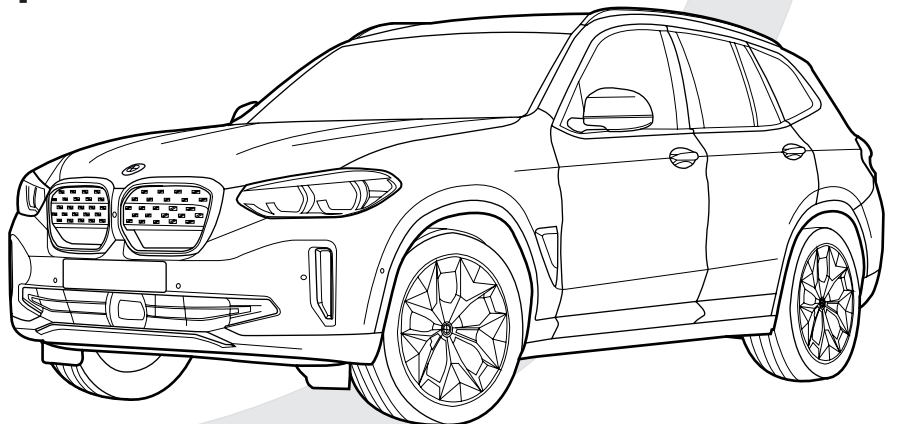
- ✓ STANDARD
- ✓ xLINE
- ✓ M SPORT PACKAGE
- ✓ HANDSFREE TAILGATE
- ✗ M SERIES



## BMW iX3 Type G08

09/'20-

- ✓ HANDSFREE TAILGATE



## NL Belangrijke raadgevingen

### Montage

- Voor de montage moet de trekhaak eerst op het voertuig gepresenteerd worden.

De belasting van een aanhangwagen en van een accessoire dat op de koppelingskogel wordt voorzien, zijn anders van aard. Voor beiden kunnen verschillende limieten van toepassing zijn. Hiervoor verwijzen we naar het instructieboekje van de wagen of naar uw concessiehouder.

## FR Recommandations importantes

### Montage

- Présenter l'attelage sous le véhicule avant d'effectuer le montage.

La charge d'une remorque ou d'un accessoire prévue sur la boule d'attelage, est de nature diverse. Pour ces deux éléments, il peut y avoir des limites d'utilisation. Nous vous recommandons de vous référer à votre livret d'instructions ou de vous renseigner chez votre concessionnaire.

## EN General instructions

### Fitting

- Present the towbar under the car first to check if all points are right.

The load of a trailer and of an accessory fitted on the towing ball are of a different nature. Different limits may apply to both. For this matter, we refer to the instruction manual of the vehicle or we advise you to contact your concessionaire.

## DE Wichtige ratschläge

### Montage

- Erst die Anhängerkupplung und das Fahrzeug kontrollieren, danach montieren.

Die Belastung eines Anhängers und eines Zubehörs, die man auf einer Kupplungskugel voraussieht, ist wesentlich anders. Für beide gilt, dass diese unterschiedlich begrenzt sein können. Deswegen möchten wir verweisen auf die Bedienungsanleitung des Fahrzeugs oder auf Ihren Vertragshändler.

## ES Instrucciones generales

### Montaje

- Presentar el enganche debajo del vehículo antes de realizar el montaje.

La carga de un remolque y un accesorio montado en una bola de remolque son de una naturaleza diferente. Se pueden aplicar diferentes límites a ambos. Para este asunto, nos referimos al manual de instrucciones del vehículo o le recomendamos que contacte a su distribuidor.

## DK Generelle instruktioner

### Montering

- Præsenter trækstangen under bilen først for at kontrollere, om alle punkter er rigtige.

Belastningen af en trailer og af tilbehør tilkoblet anhængertrækket er forskellige. Der kan være forskellige begrænsninger på begge. I disse tilfælde henviser vi til bilens manual, eller anbefaler dig at kontakte bilforhandleren



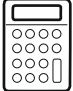
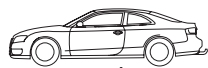
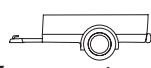

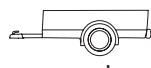
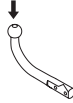
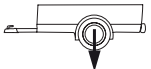
## IT Consigli importanti

### Montaggio

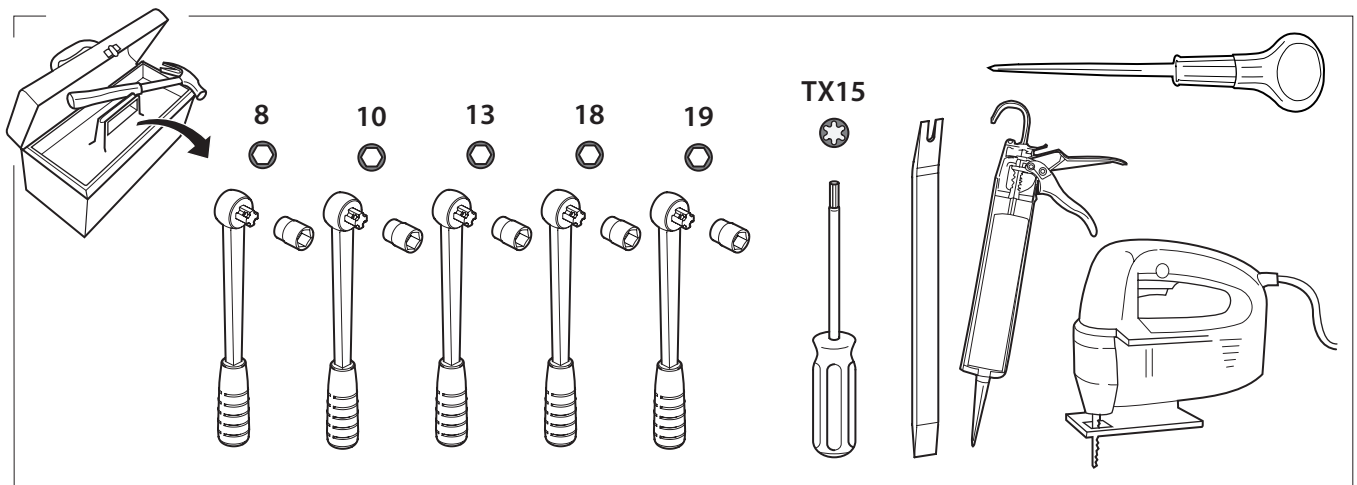
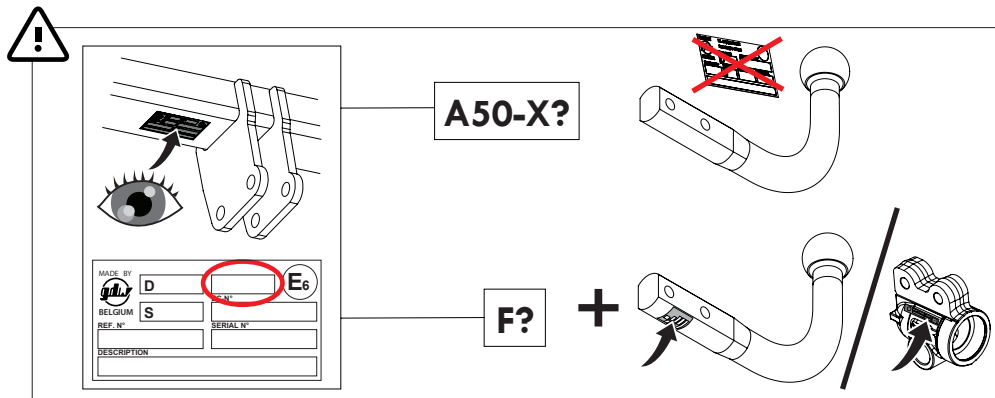
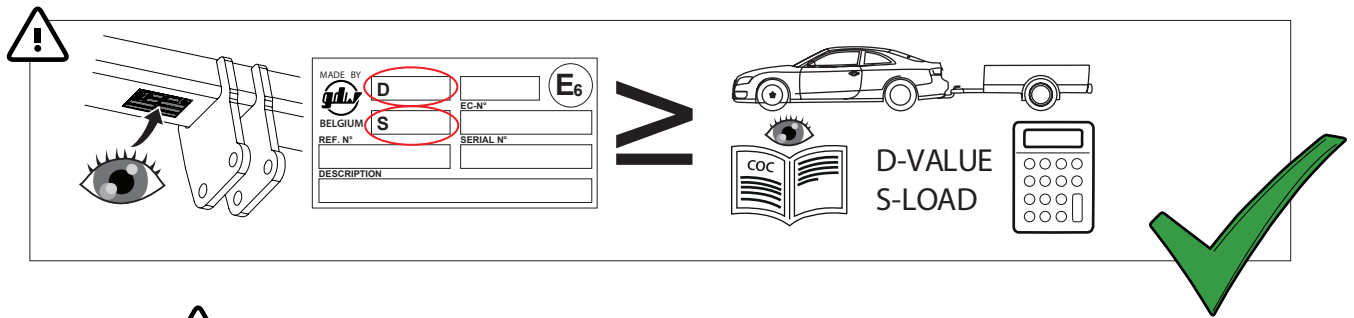
- In primo luogo, presentare la struttura sotto l'automobile per verificare che tutti i punti di attacco coincidano.

La massa rimorchiabile del veicolo potrebbe essere diversa dal valore riportato sul documento del gancio di traino. Per questo motivo, vi invitiamo a consultare sempre la carta di circolazione del veicolo (Pos. O.1) o a rivolgervi alla vostro concessionario di fiducia

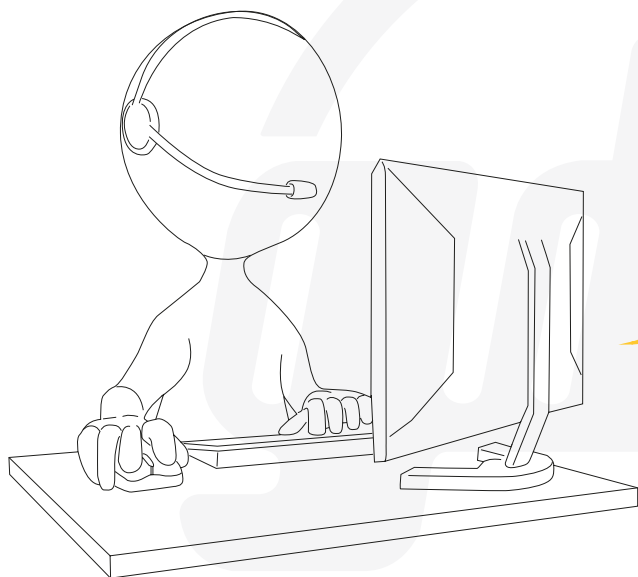


MADE BY  <b>D 12,60</b>	<b>F</b>	<b>E6</b>	 	 max kg <b>X</b>  max kg $\times 0.00981 \leq 12,60 \text{ kN}$
BELGIUM <b>S 115</b>	EC-N° 55R-02 1680	SERIAL N° XXXX		 max kg <b>+</b>  max kg
REF N° 2592T60	DESCRIPTION BMW X3 + X4 + iX3			 $\leq 115 \text{ kg}$  $\leq 2400 \text{ kg}$

See the Certificate Of Conformity (COC) of your vehicle or contact your dealer to verify the max. trailer weight of your car!







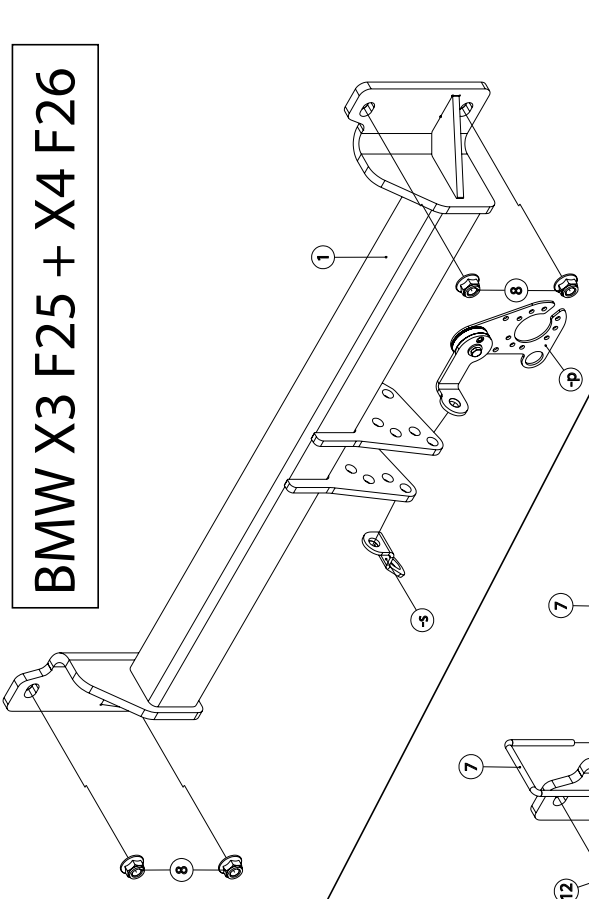
**helpdesk@gdwtowbars.com**

**+32 56 62 77 79**

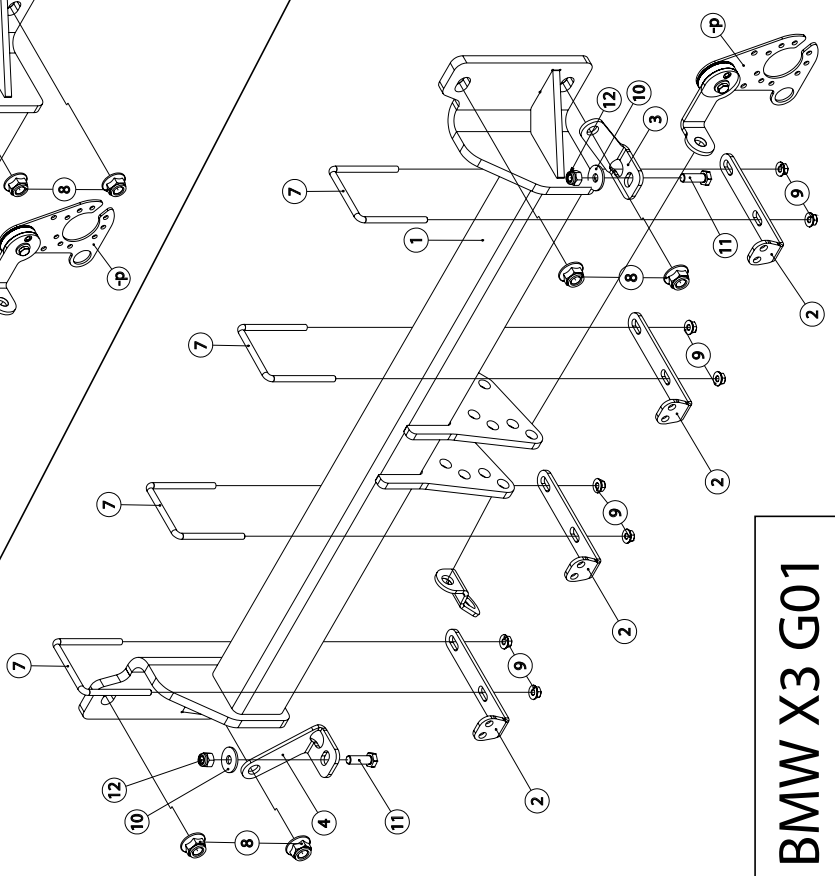
Monday	08:00 - 12:00	12:30 - 16:30
Tuesday	08:00 - 12:00	12:30 - 16:30
Wednesday	08:00 - 12:00	12:30 - 16:30
Thursday	08:00 - 12:00	12:30 - 16:30
Friday	08:00 - 12:00	12:30 - 15:30



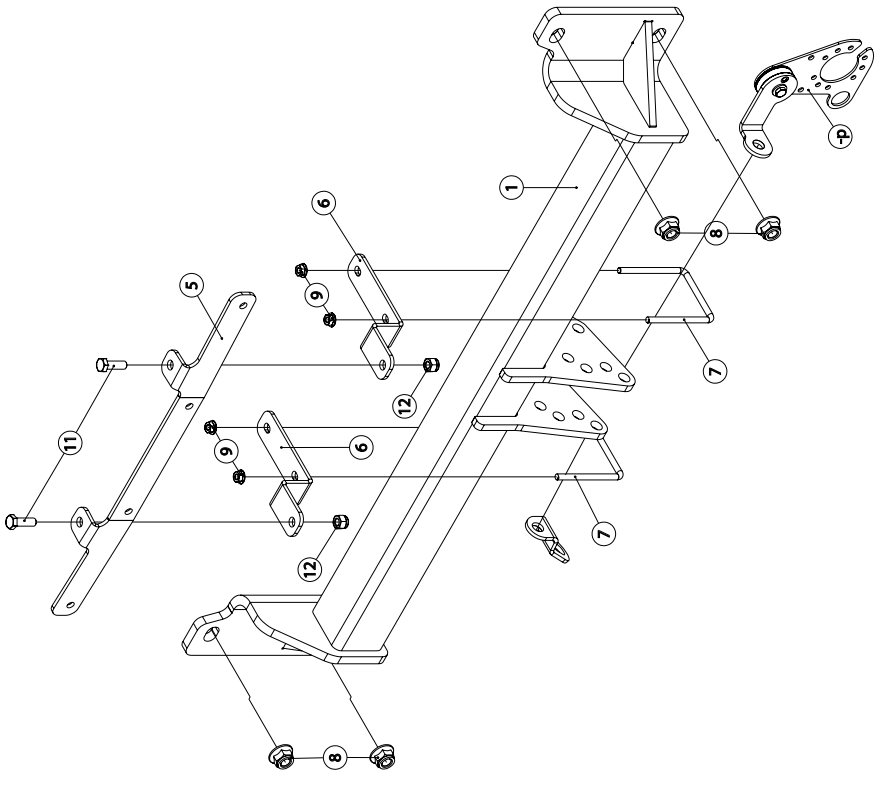
**BMW X3 F25 + X4 F26**

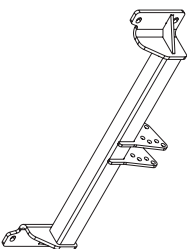



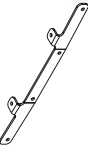

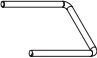








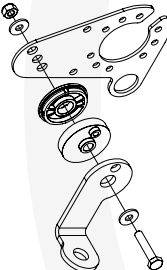




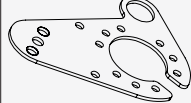

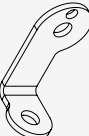

**BMW X3 G01**

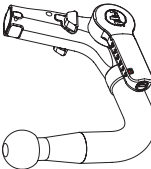

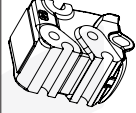


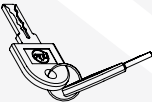








**BMW iX3 G08**



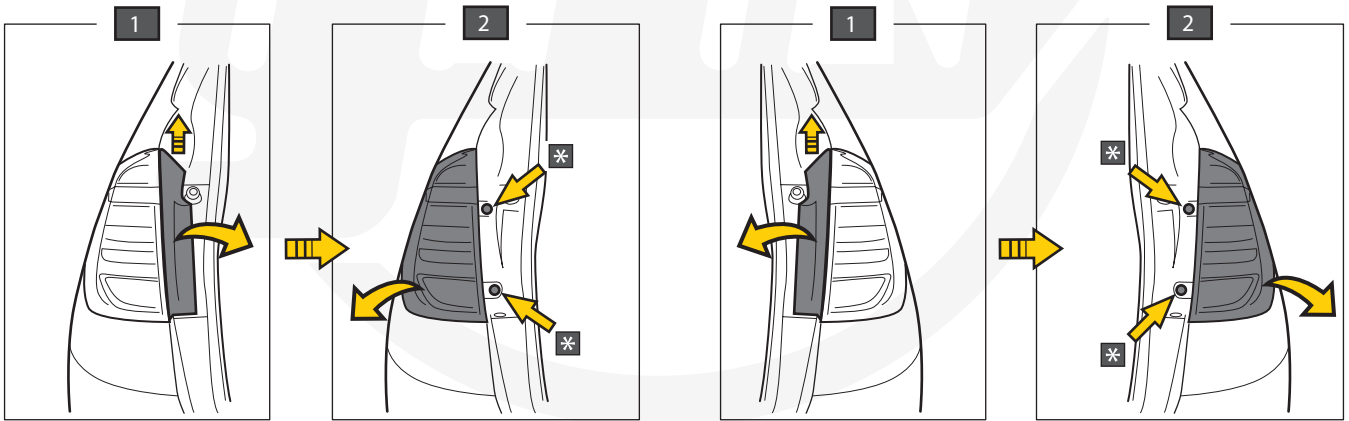
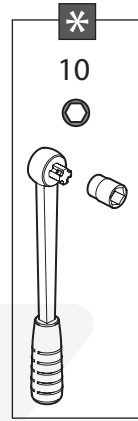
1		X1	GDW REF. 2592160
2		X4	GDW REF. 2
3		X1	GDW REF. 3
4		X1	GDW REF.4
5		X1	GDW REF. 5
6		X2	GDW REF. 6
7		X4	GDW REF. 7
8		X4	MBN13023-M12X1.5- KL10-ZNF
9		X8	DIN16923-M6
10		X2	DIN9021-M8-ELVZ
11		X2	DIN933-M8X25
12		X2	DIN985-M8
-5		X1	GDW REF. 900.053

-P		X1	GDW REF. P46
↑		X1	DIN985-M6
↑		X2	6,2 X 15,4 X 1,6 (NYLON)
↑		X1	GDW REF. 718.16.002
↑		X1	GDW REF. 718.16.003
↑		X1	GDW REF. 908.094
↑		X1	DIN933-M6 X 30
↑		X1	GDW REF. 908.101
		X8	GDW REF. 749.02.06351888

Geleverd met - Livré avec - Delivered with Geliefert mit - Elementos adjuntos-Leveres med		X1	GDW REF. 960.V0808	
	↑		X1	GDW REF. 740.200
			X1	GDW REF. 912.003
	↑		X1	GDW REF. 740.112
	↑		X1	GDW REF. 740.111
			X1	GDW REF. 740.12X X= LAST NUMBER ON KEY
			X1	GDW REF. 718.15.001
			X1	GDW REF. SYST60-10
	↑		X3	DIN931-M12X110-8.8
	↑		X3	DIN128A-M12
	↑		X6	DIN125A-M12
	↑		X3	DIN934-M12

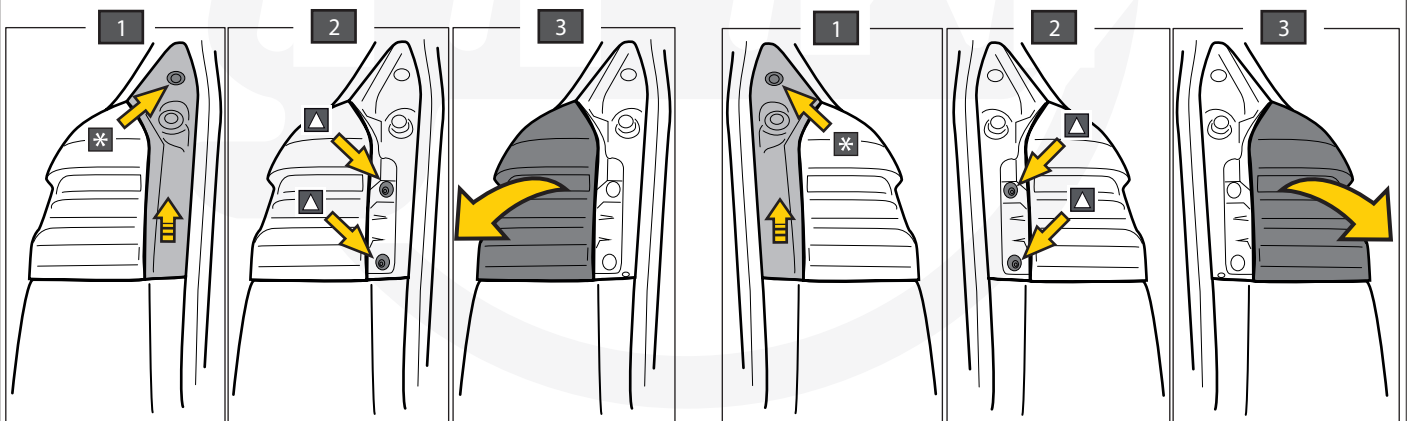
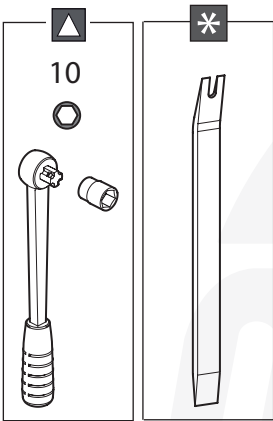
1

### X3 (TYPE F25) & X4 (TYPE F26)



2

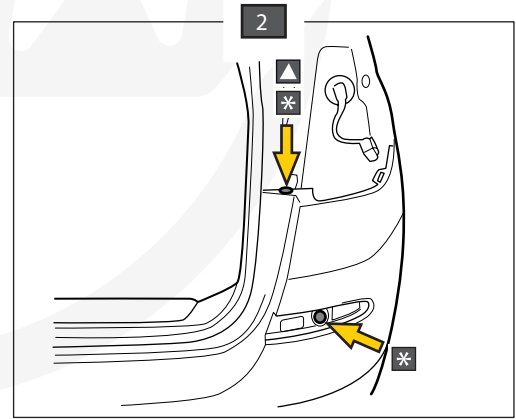
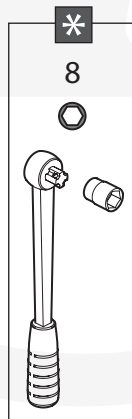
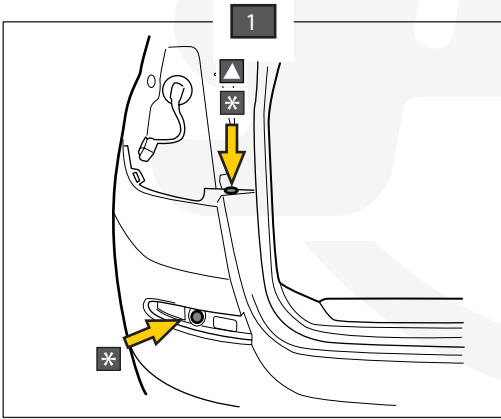
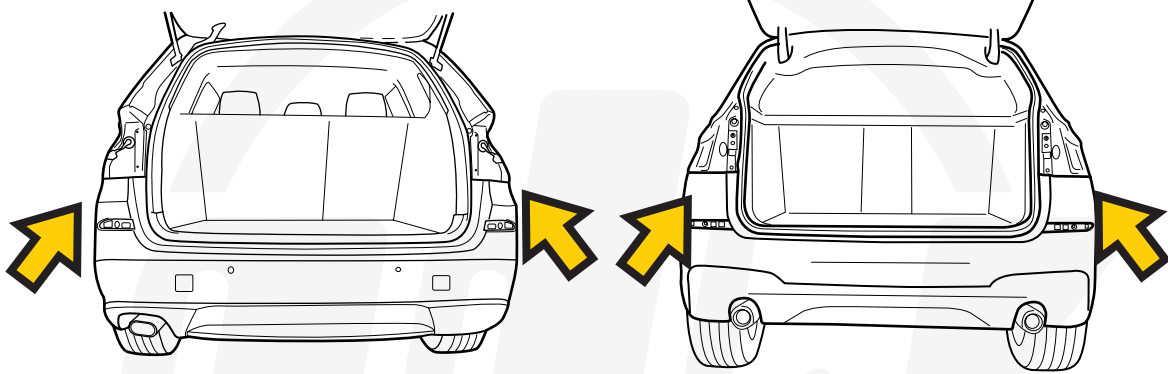
### X3 (TYPE G01) + iX3 (TYPE G08)



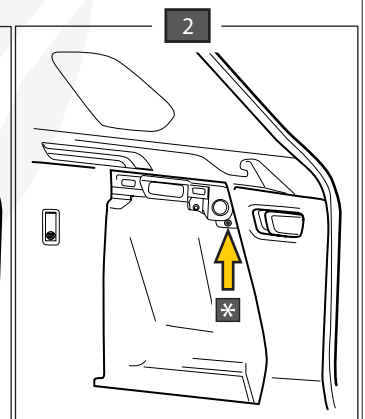
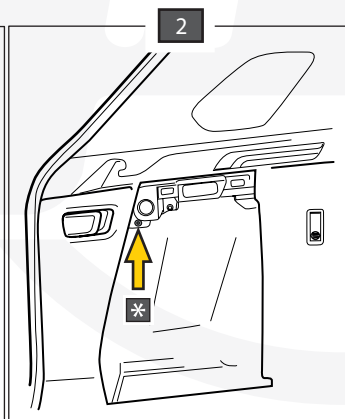
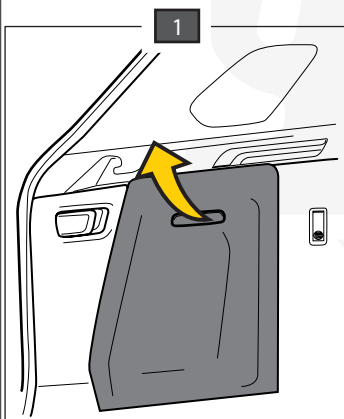
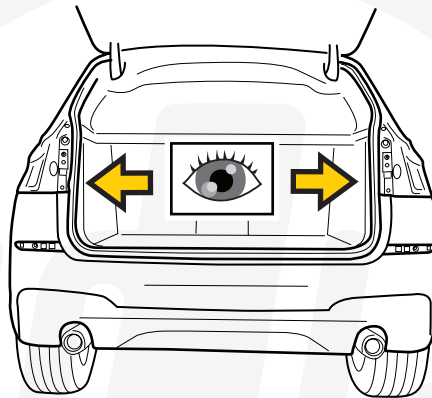
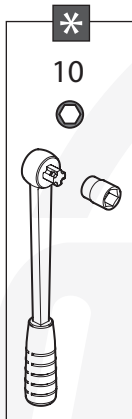
X3 (TYPE F25) & X4 (TYPE F26)

X3 (TYPE G01) + iX3 (TYPE G08)

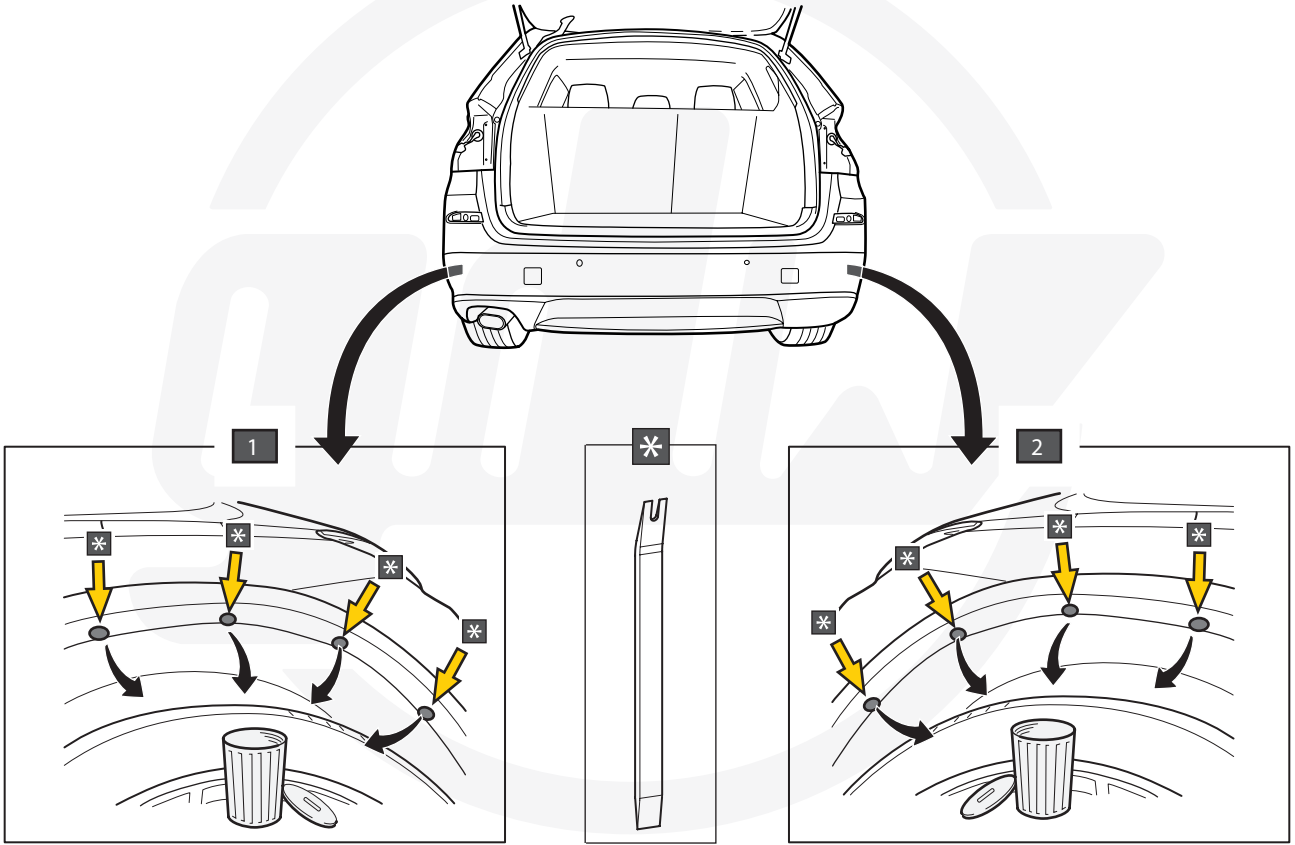
▣ iX3 (G08)



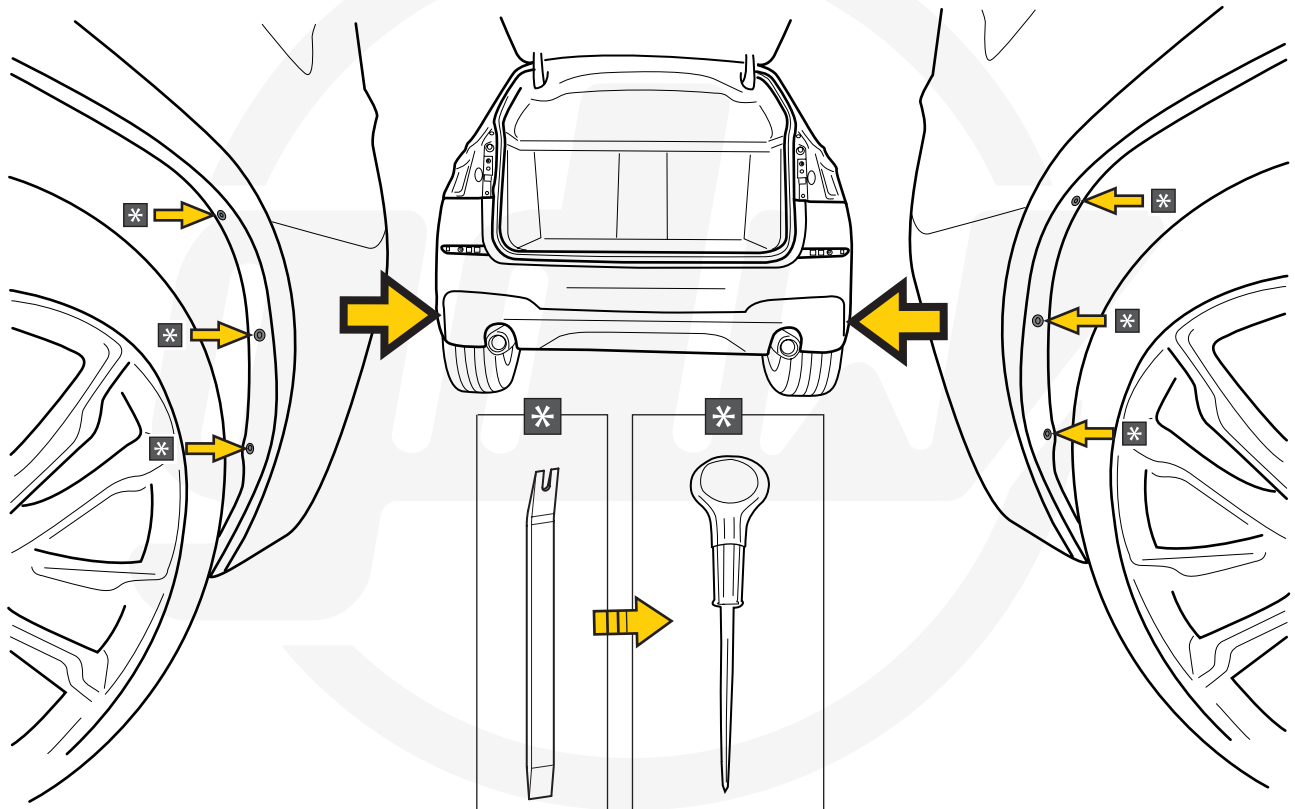
X3 (TYPE G01) + iX3 (TYPE G08)



**X3 (TYPE F25) & X4 (TYPE F26)**



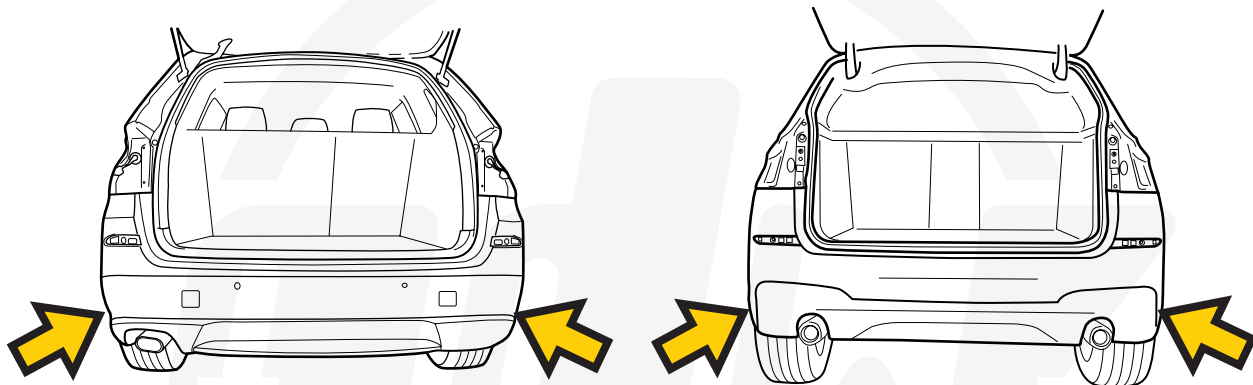
**X3 (TYPE G01) + iX3 (TYPE G08)**



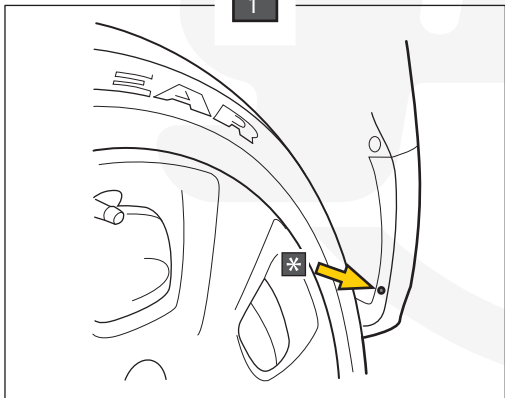


**X3 (TYPE F25) & X4 (TYPE F26)**

**X3 (TYPE G01) + iX3 (TYPE G08)**

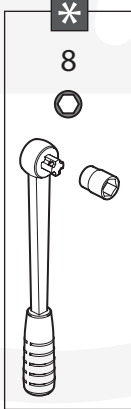


1

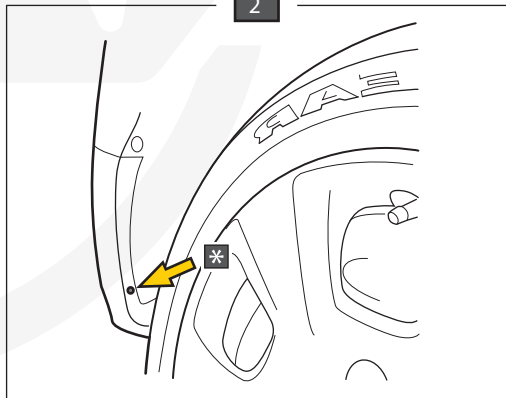


\*

8

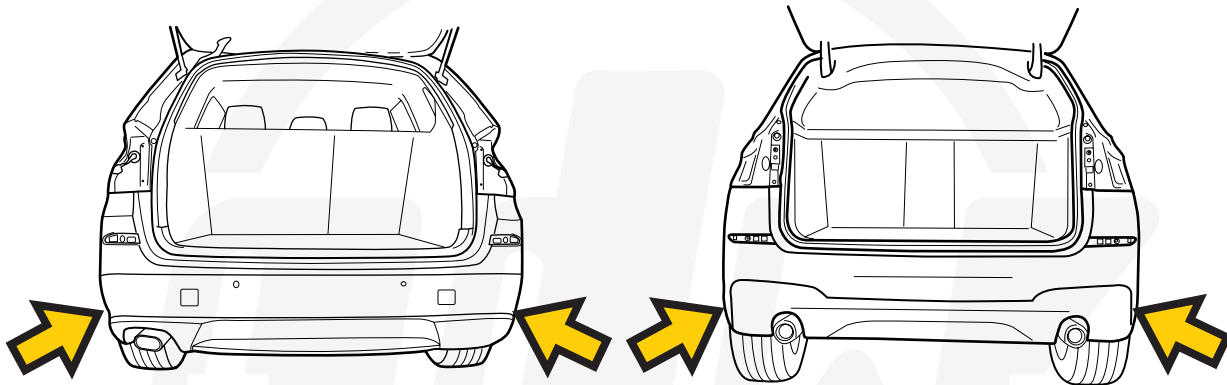


2

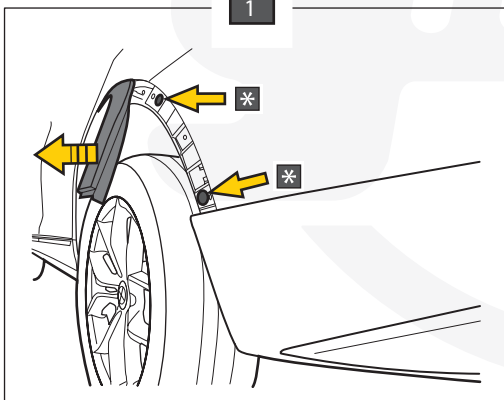


**X3 (TYPE F25) & X4 (TYPE F26)**

**X3 (TYPE G01) + iX3 (TYPE G08)**

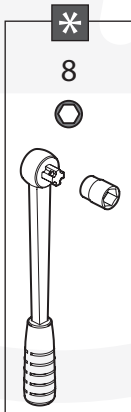


1

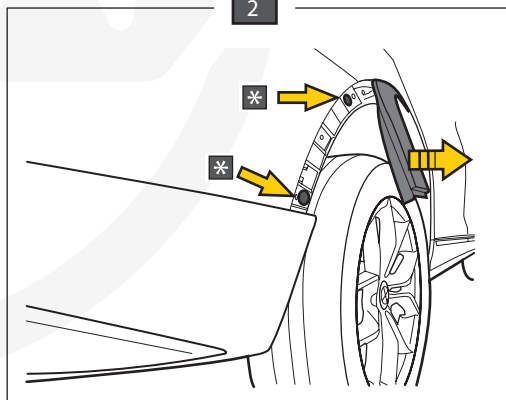


\*

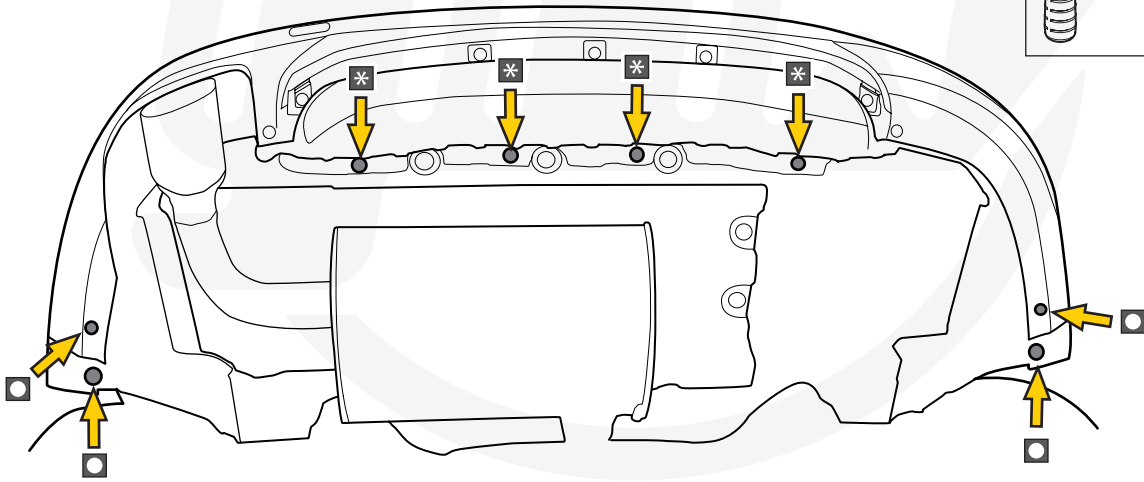
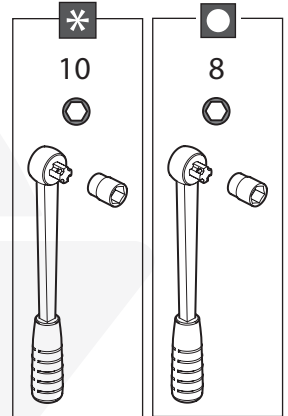
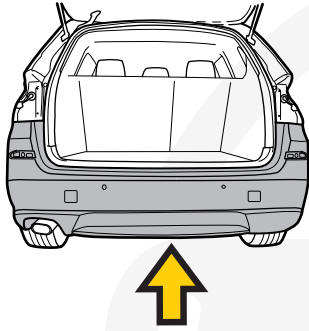
8



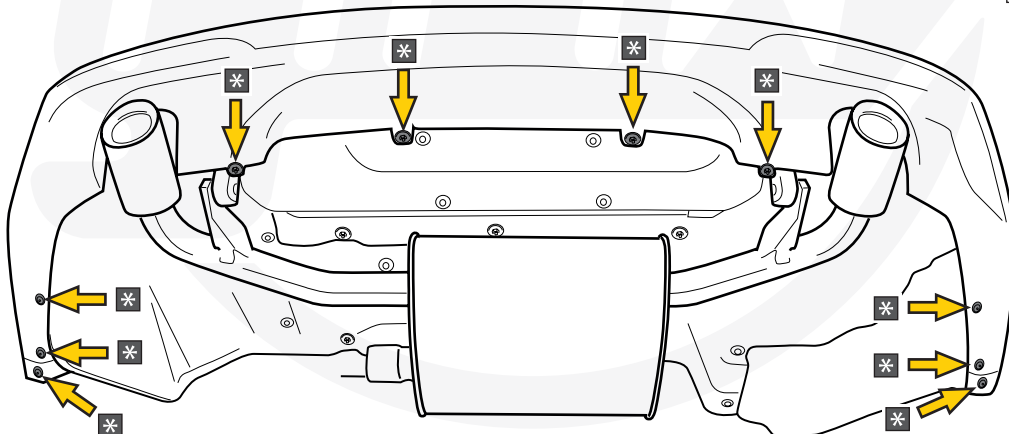
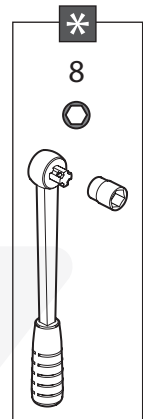
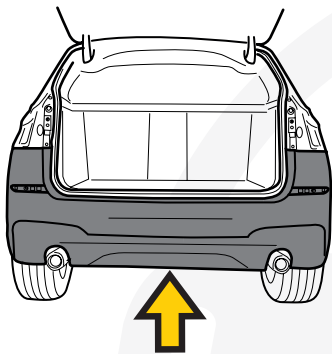
2



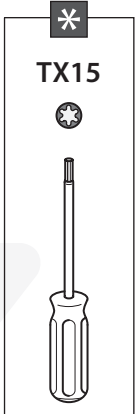
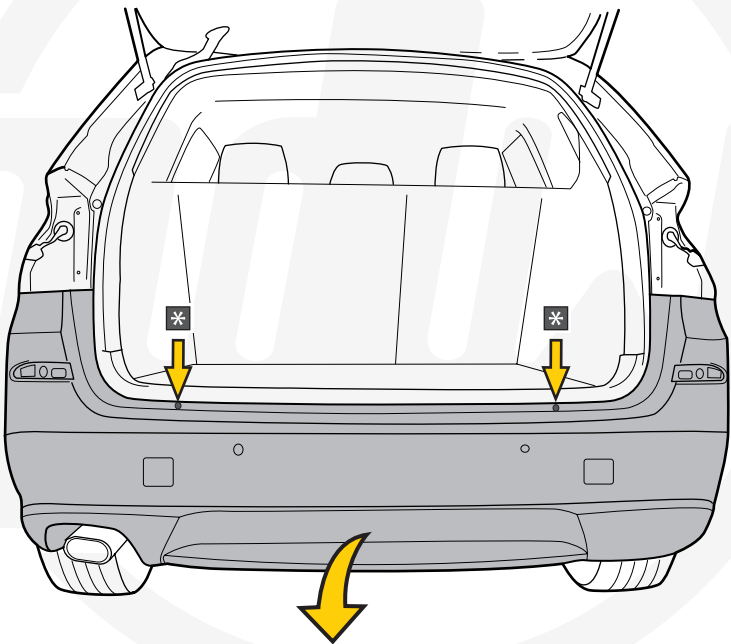
**X3 (TYPE F25) & X4 (TYPE F26)**



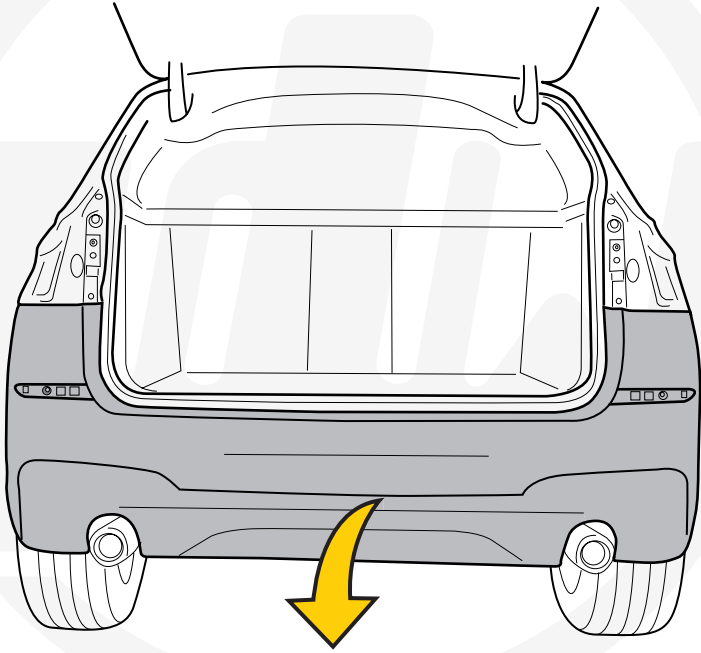
**X3 (TYPE G01) + iX3 (TYPE G08)**



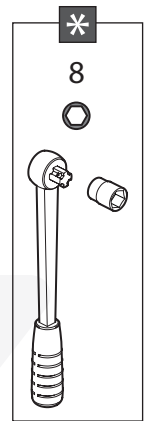
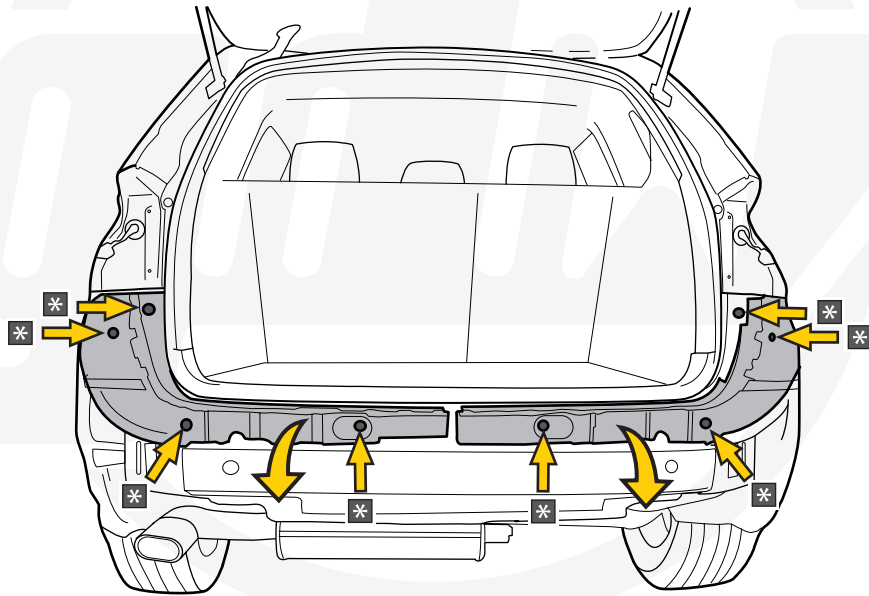
**X3 (TYPE F25) & X4 (TYPE F26)**



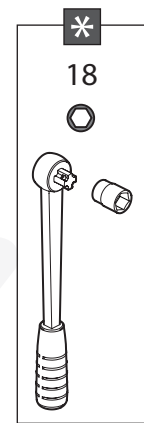
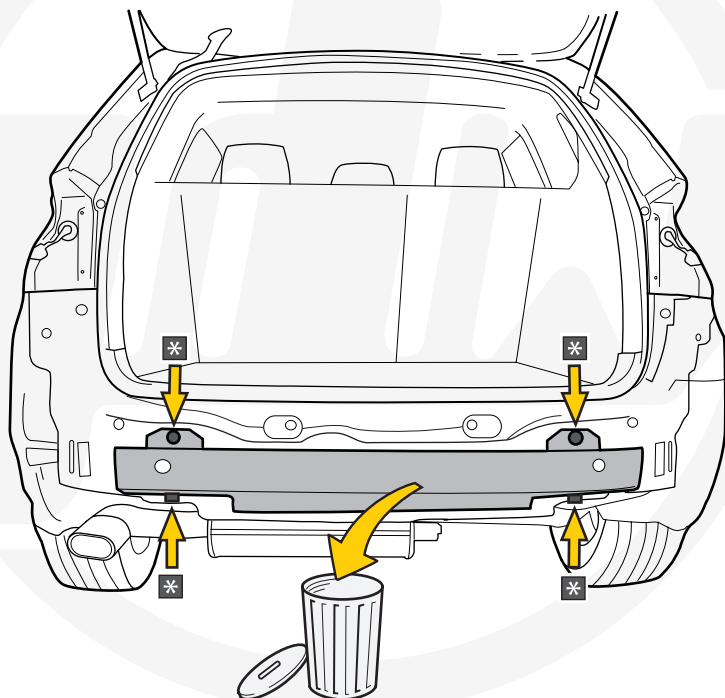
**X3 (TYPE G01) + iX3 (TYPE G08)**



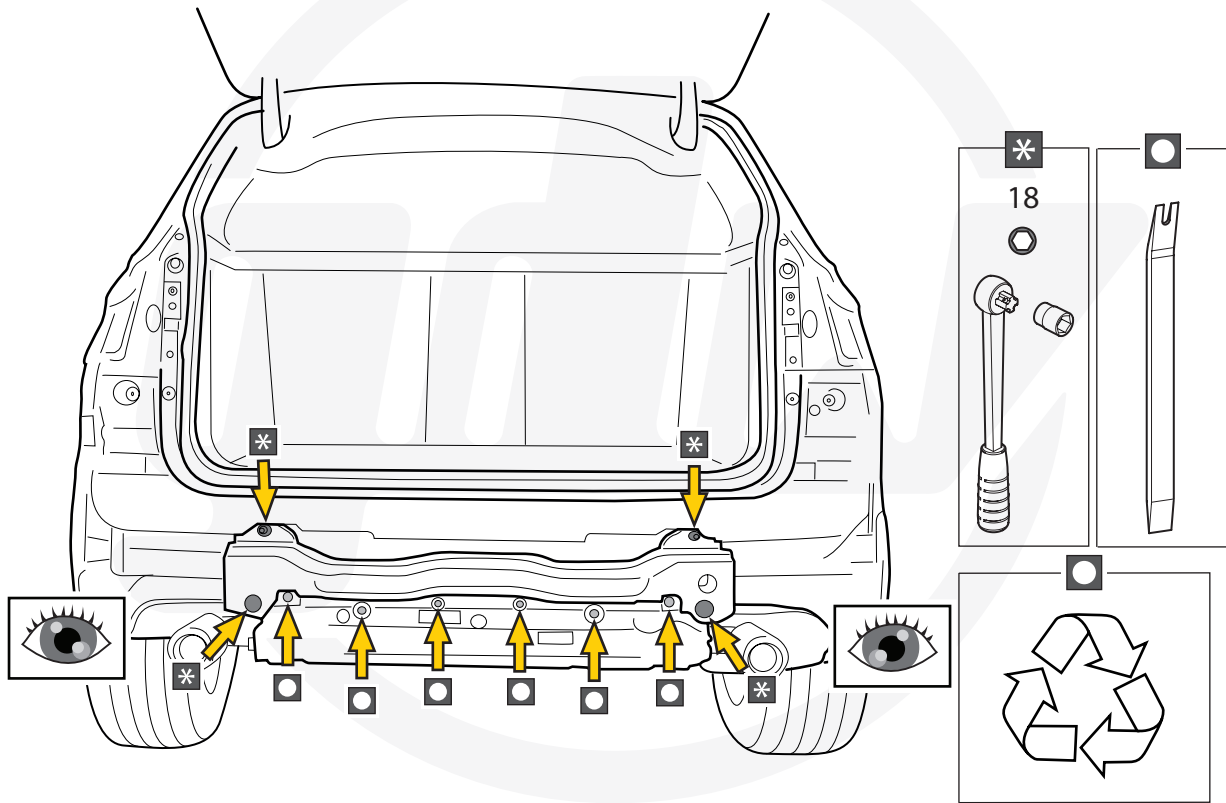
**X3 (TYPE F25) & X4 (TYPE F26)**



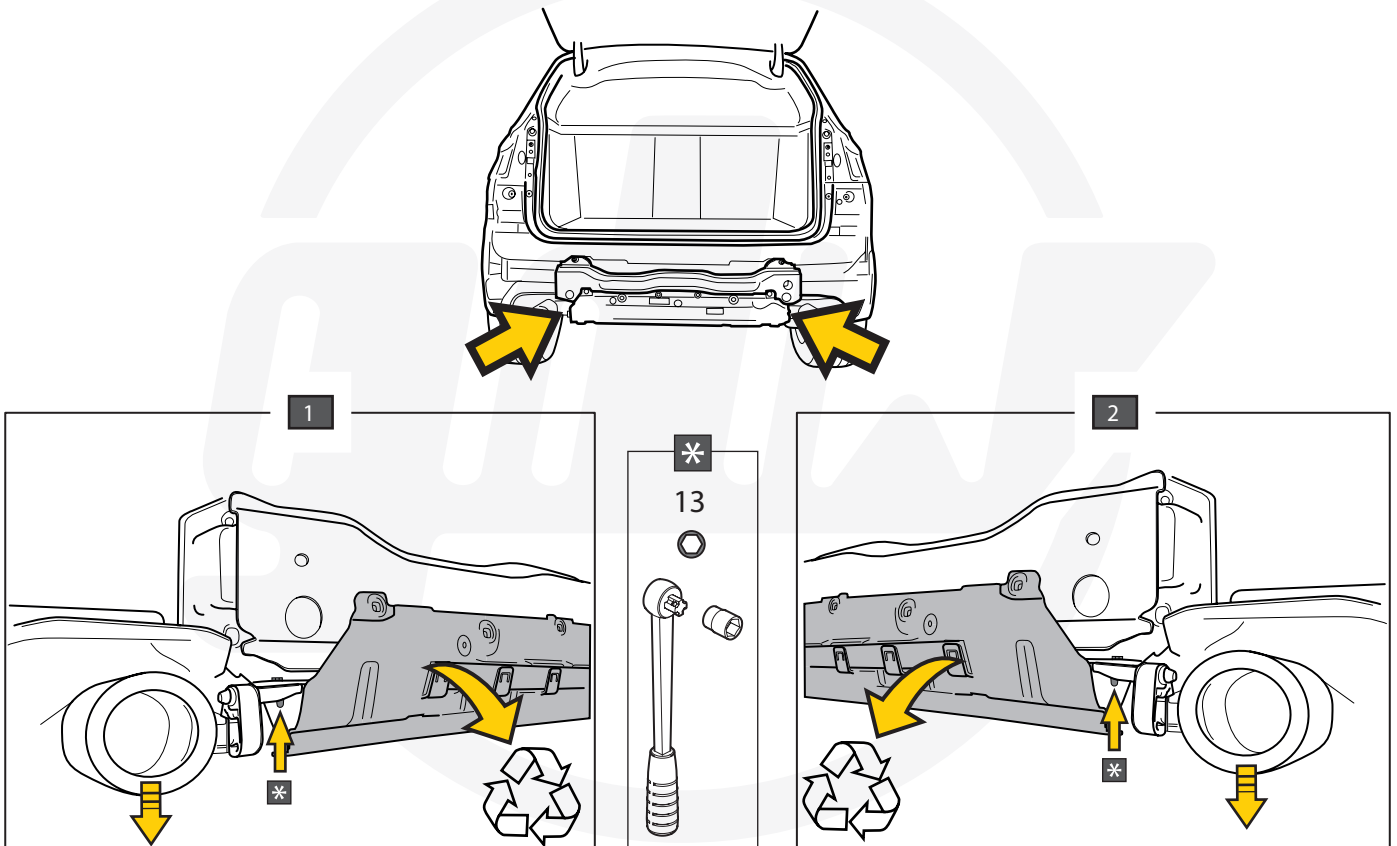
**X3 (TYPE F25) & X4 (TYPE F26)**



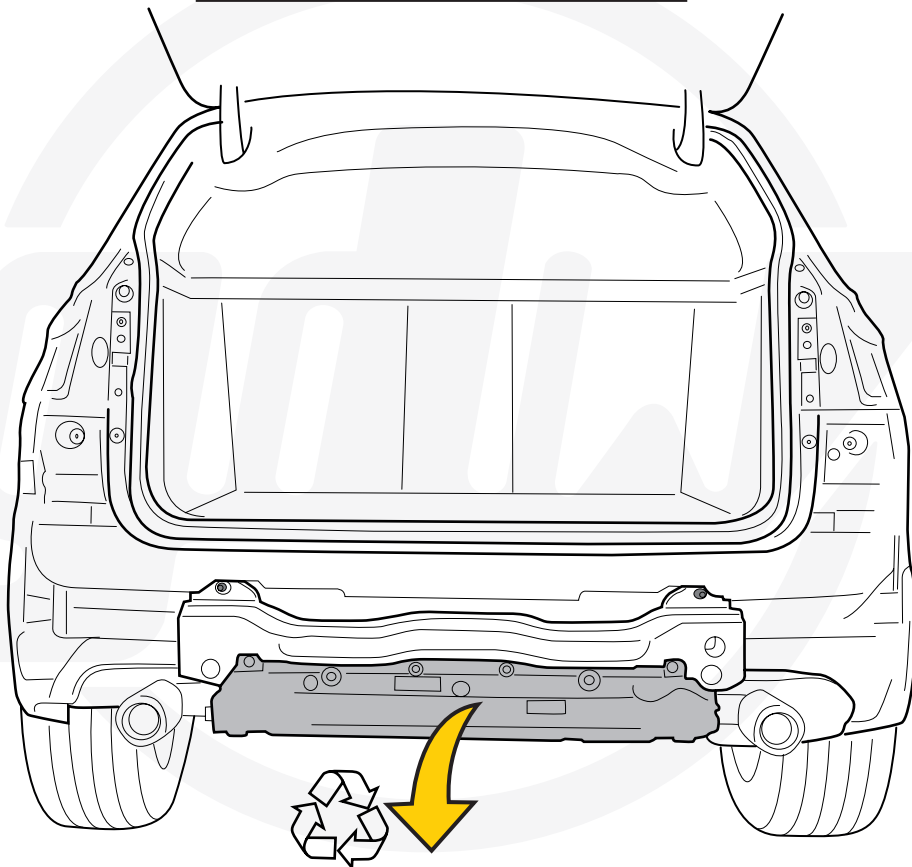
**X3 (TYPE G01) + iX3 (TYPE G08)**



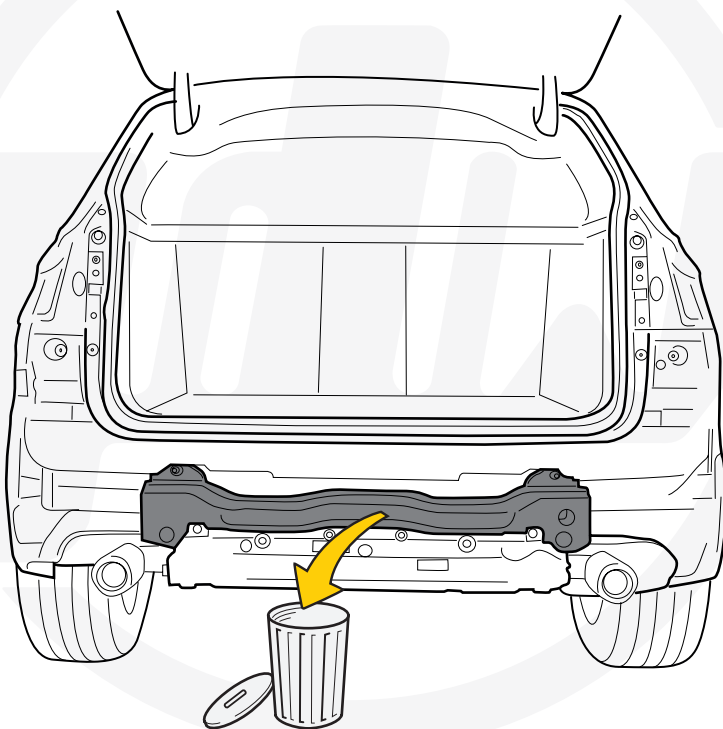
**X3 (TYPE G01)**



**X3 (TYPE G01) + iX3 (TYPE G08)**



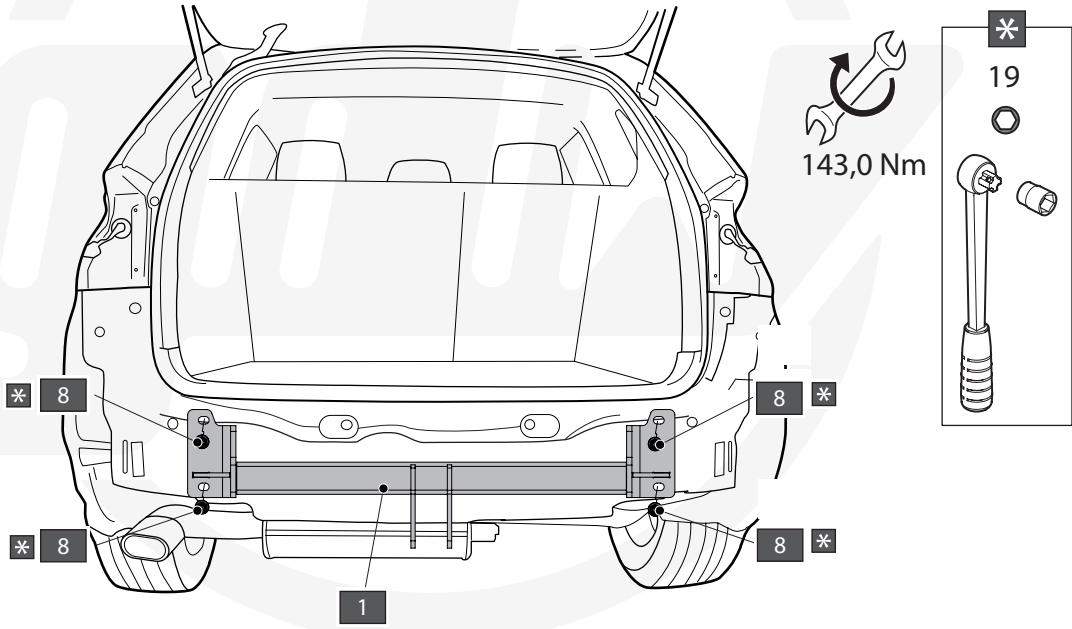
**X3 (TYPE G01) + iX3 (TYPE G08)**





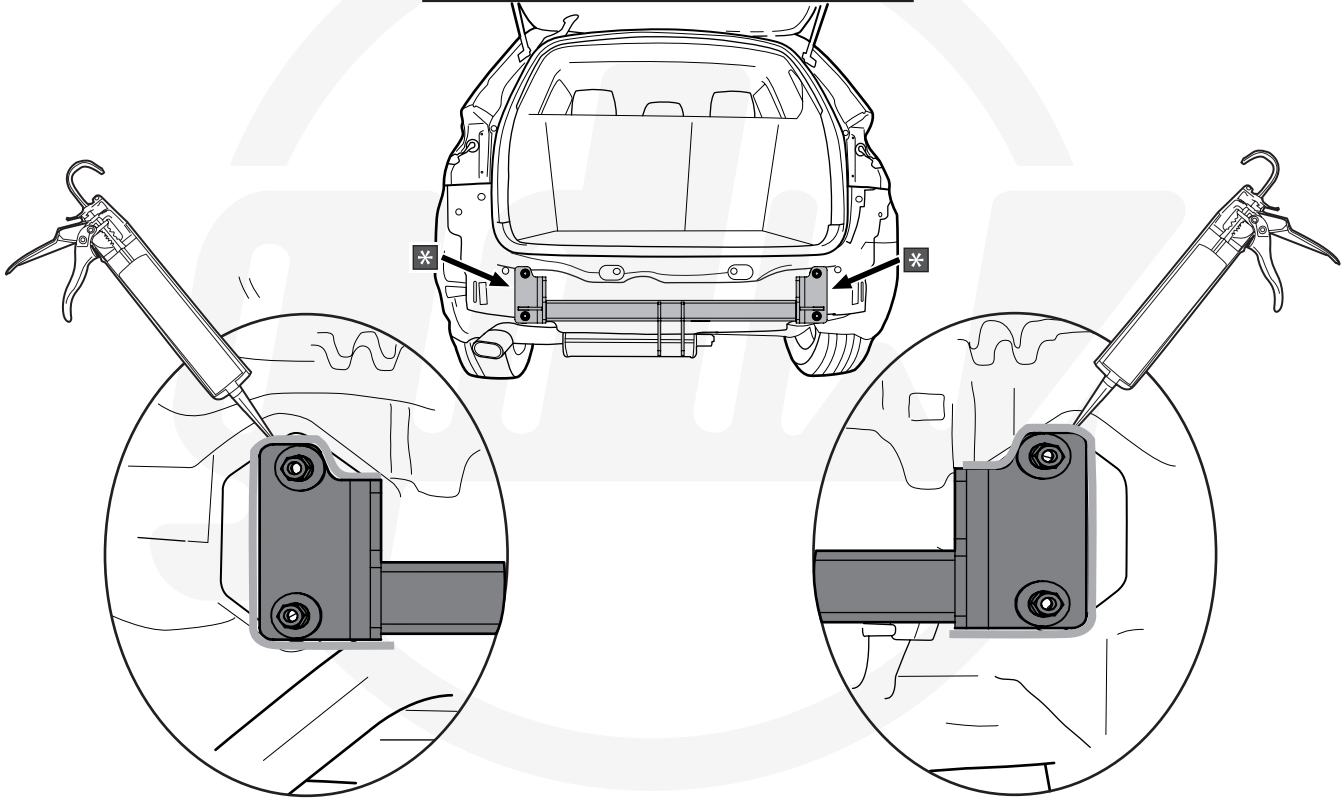
**X3 (TYPE F25) & X4 (TYPE F26)**

**iX3 (TYPE G08)**



**X3 (TYPE F25) & X4 (TYPE F26)**

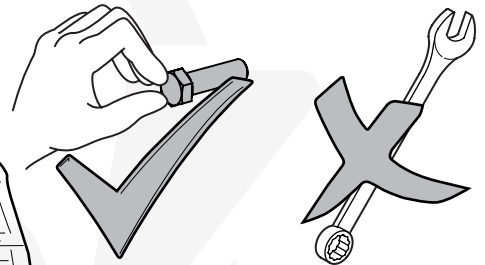
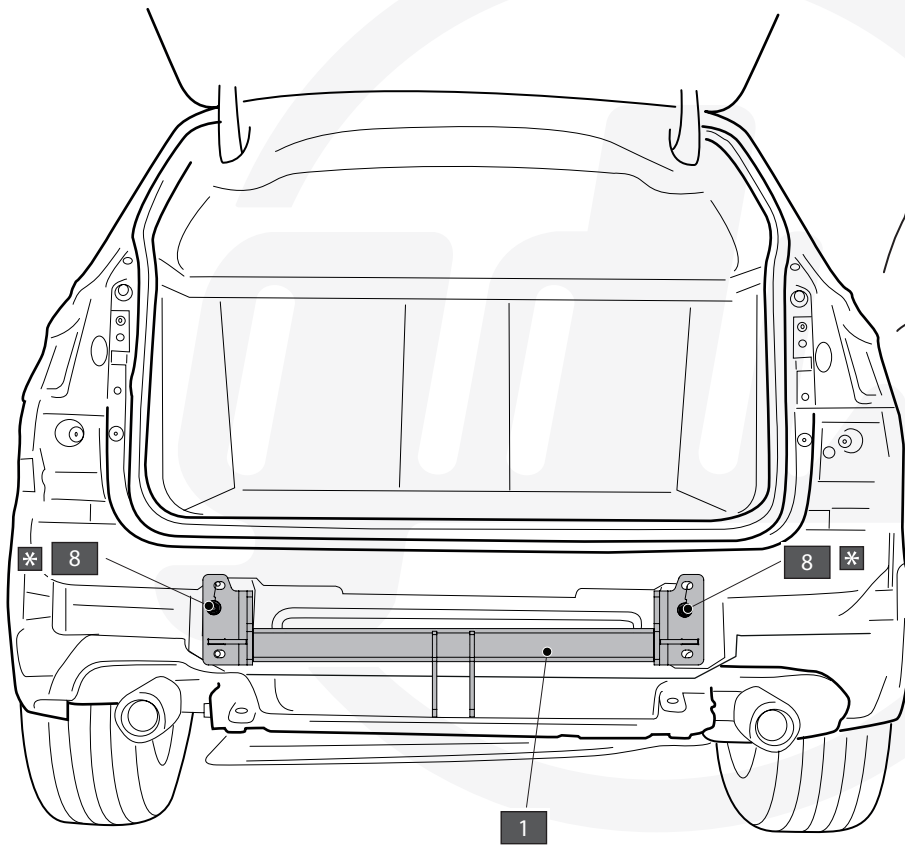
**iX3 (TYPE G08)**



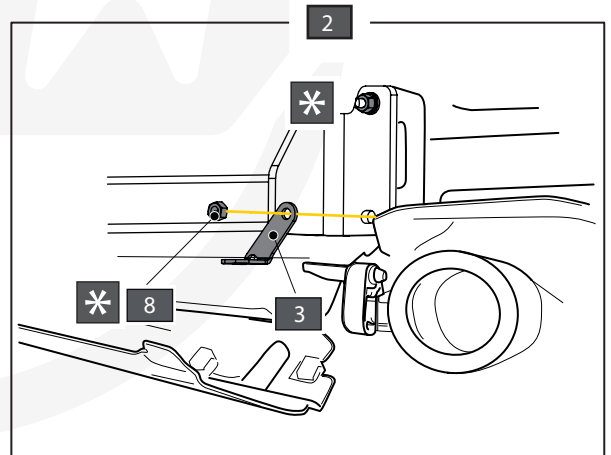
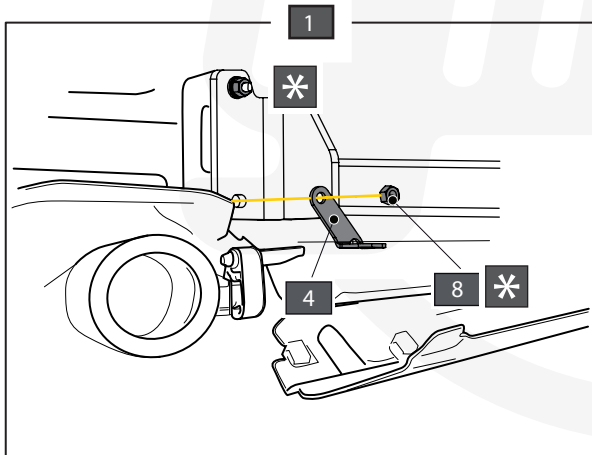
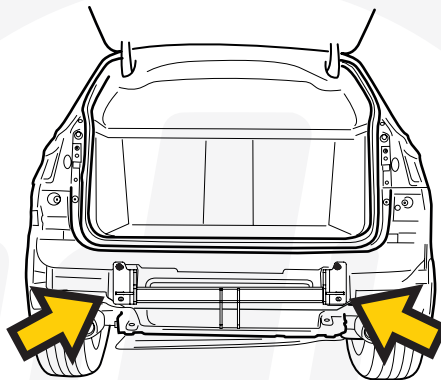
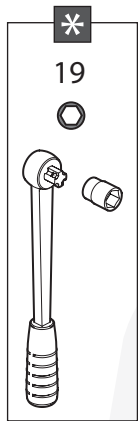
X3 (TYPE G01)



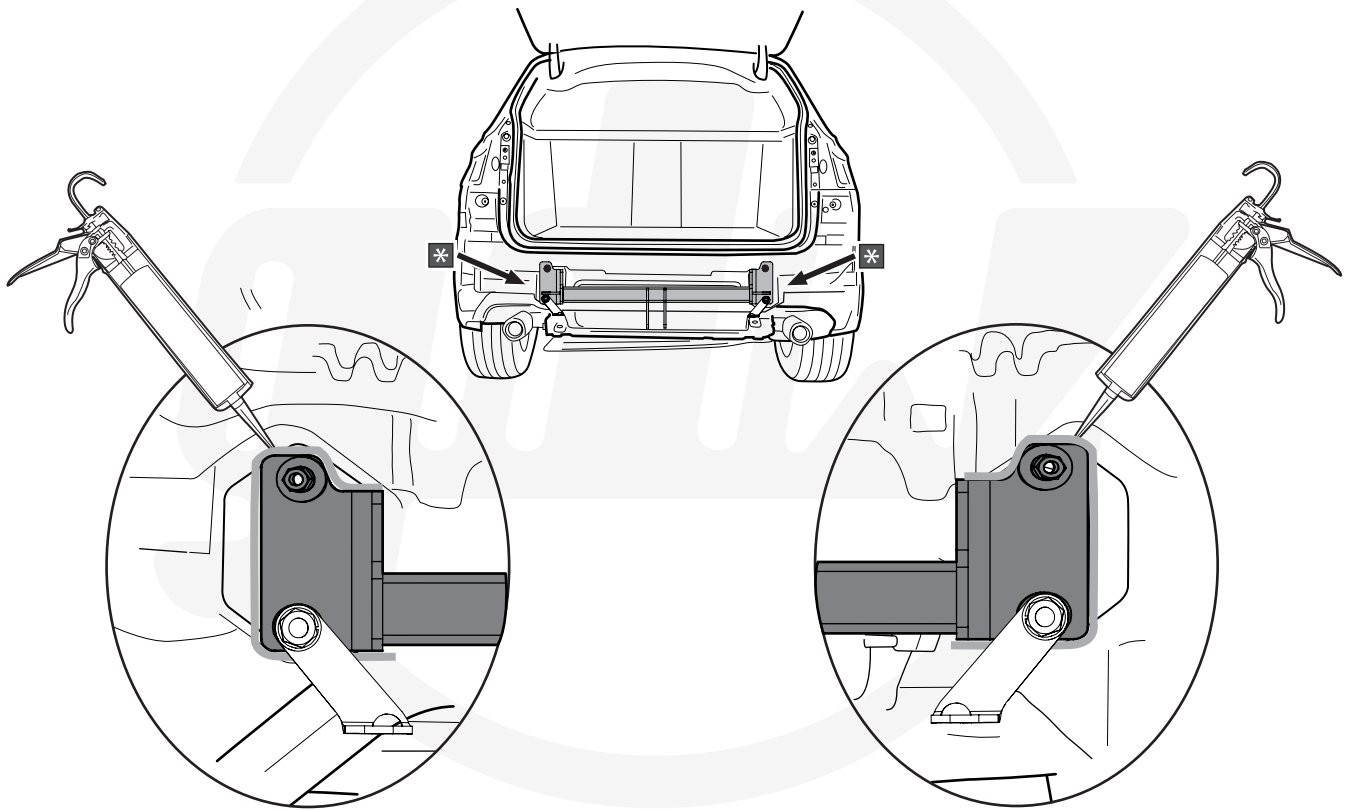
\*



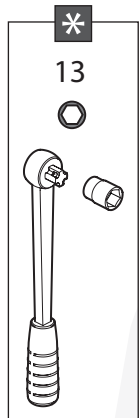
X3 (TYPE G01)



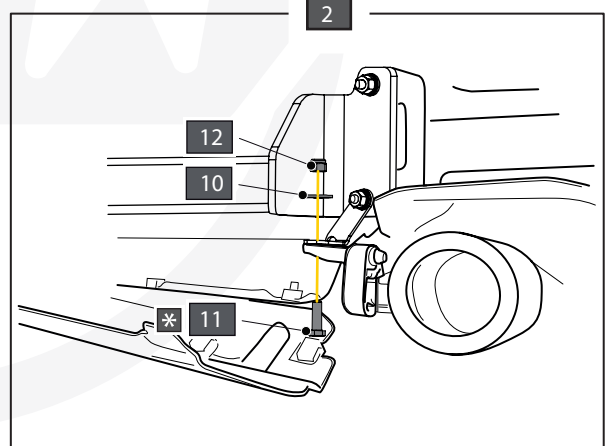
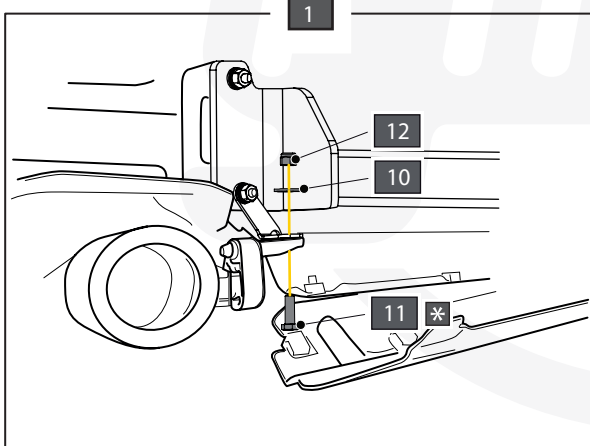
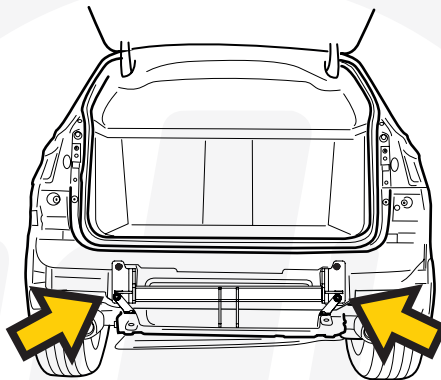
**X3 (TYPE G01)**



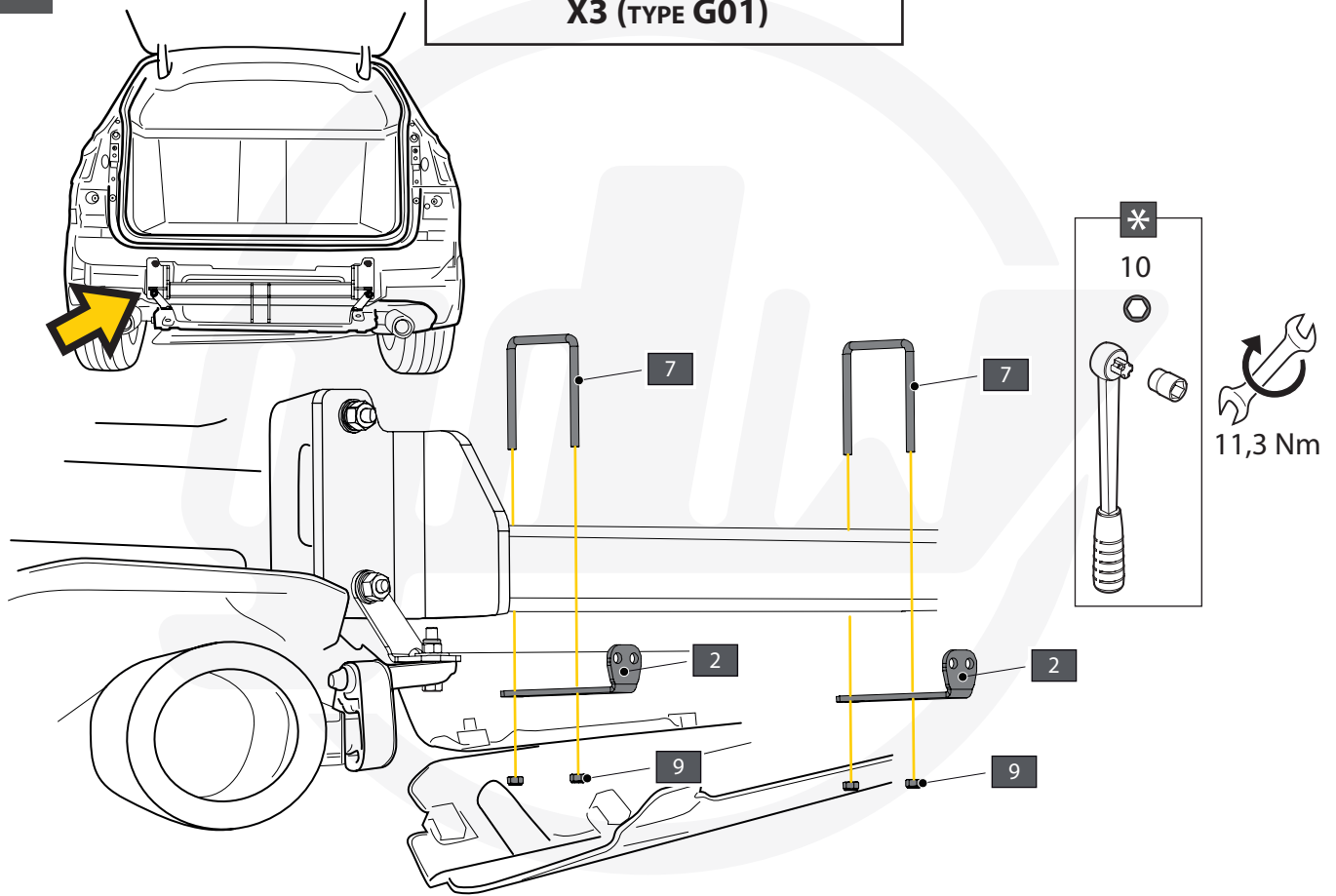
**X3 (TYPE G01)**



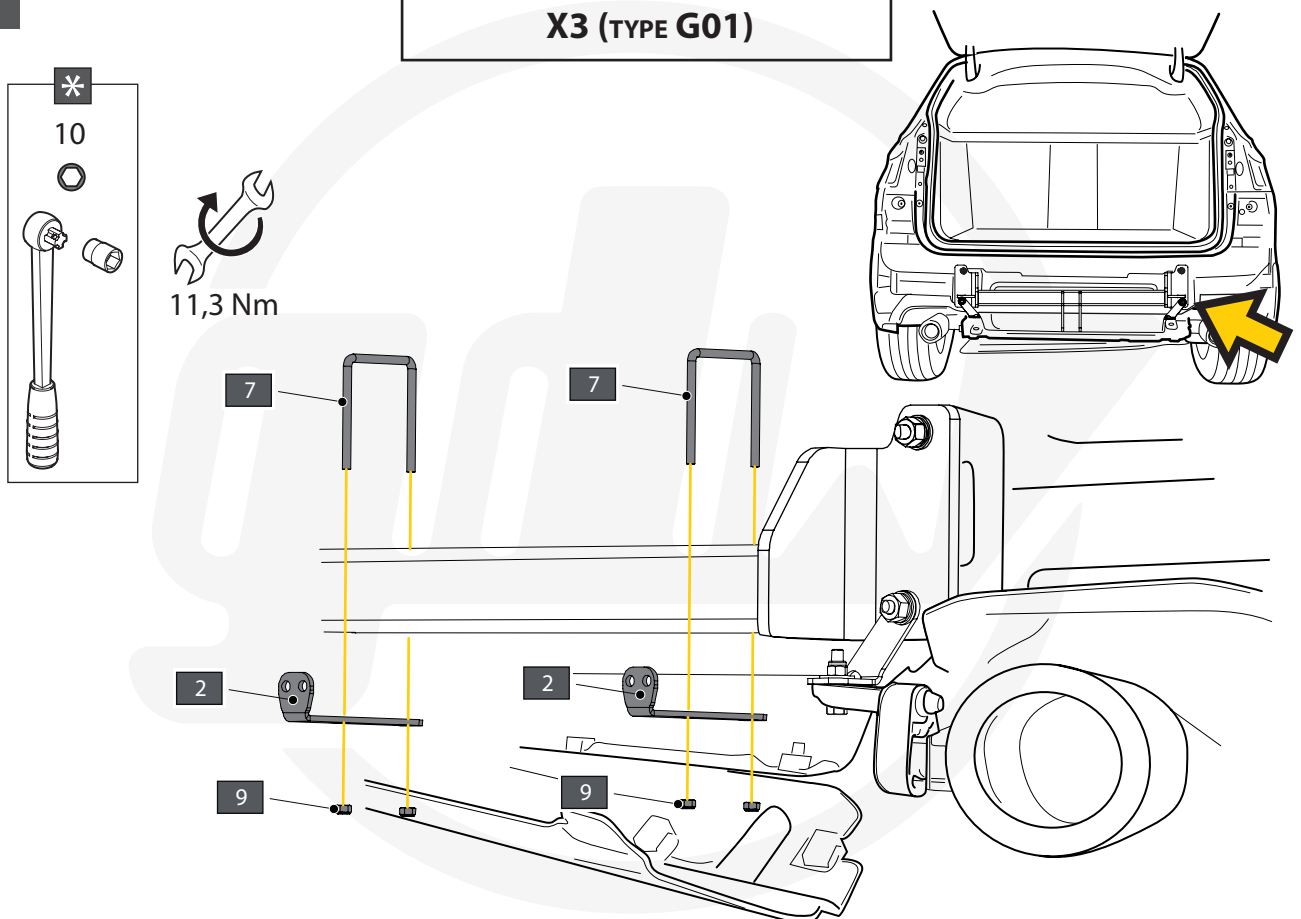
27,3 Nm



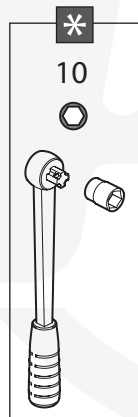
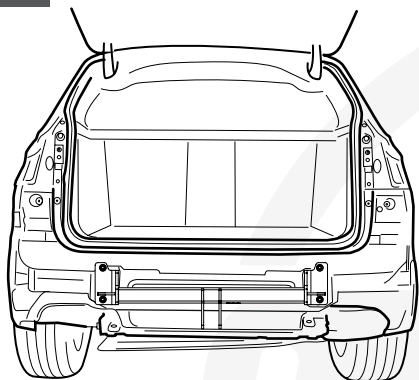
### X3 (TYPE G01)



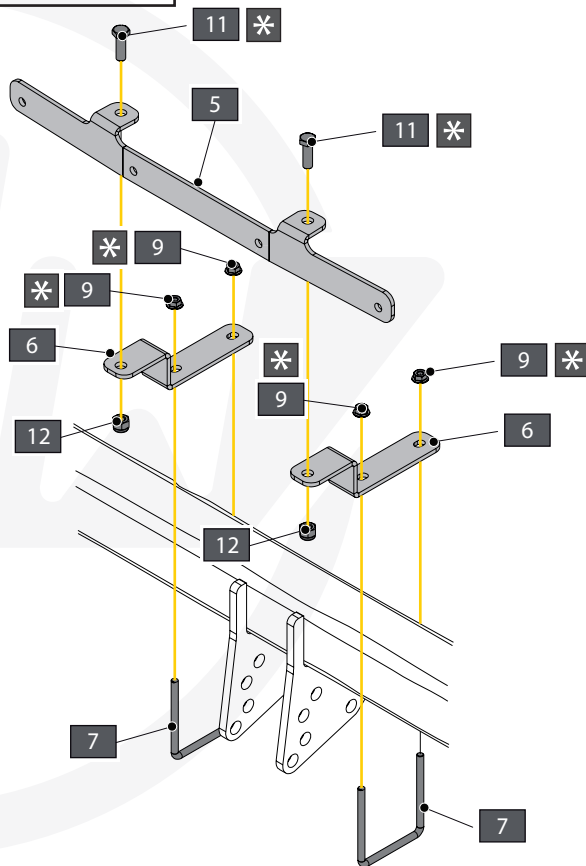
### X3 (TYPE G01)



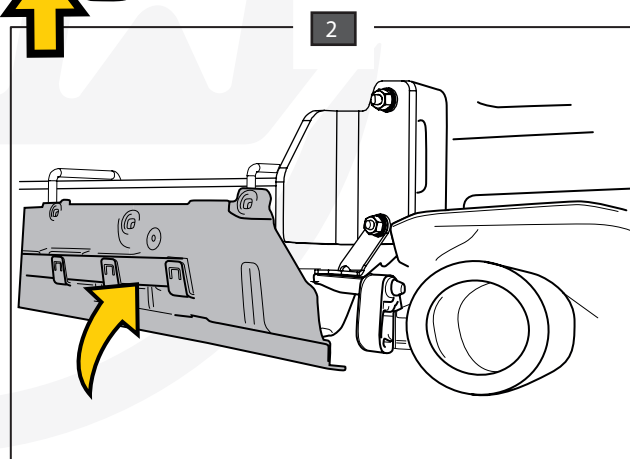
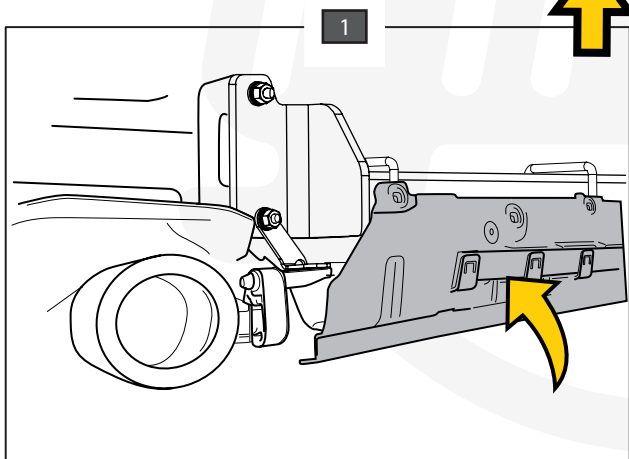
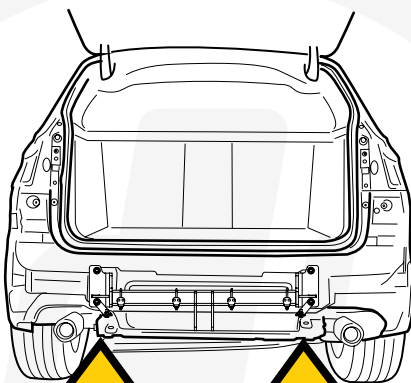
### iX3 (TYPE G08)



11,3 Nm

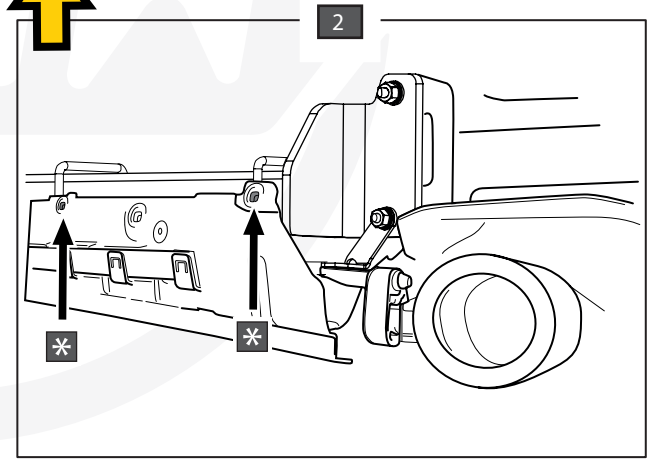
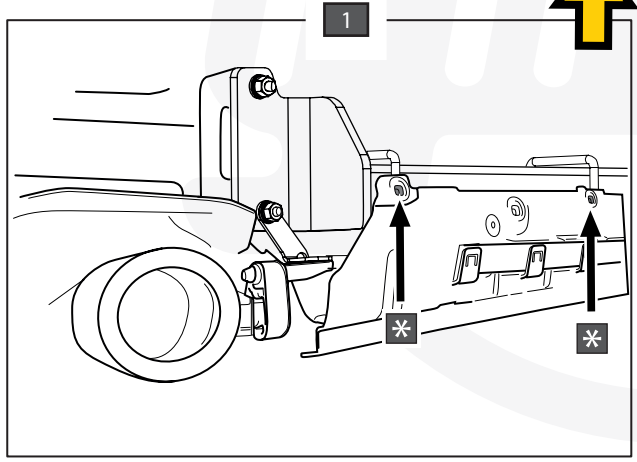
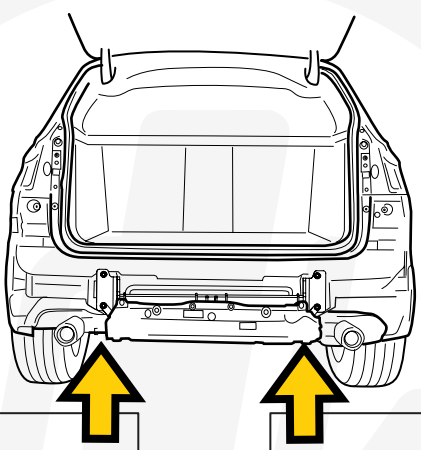


### X3 (TYPE G01) + iX3 (TYPE G08)

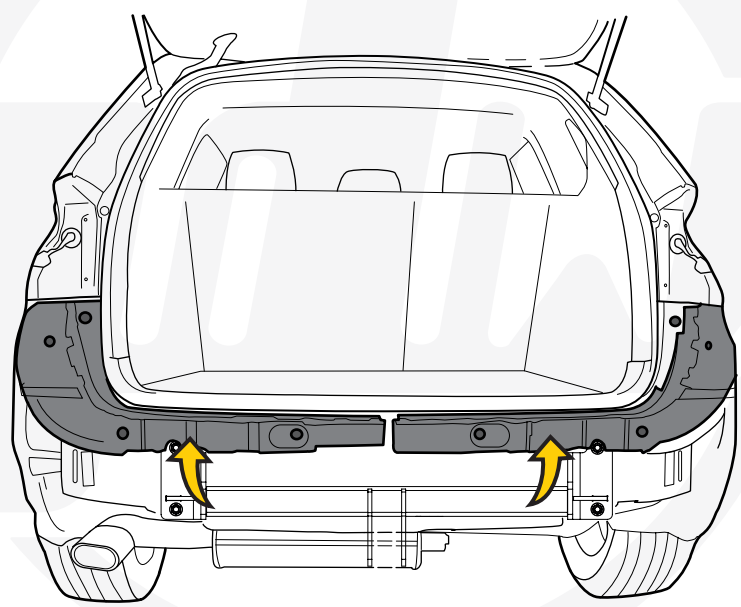


**X3 (TYPE G01) + iX3 (TYPE G08)**

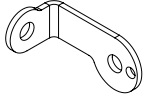



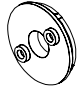
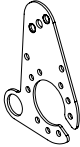

\* 4 x  

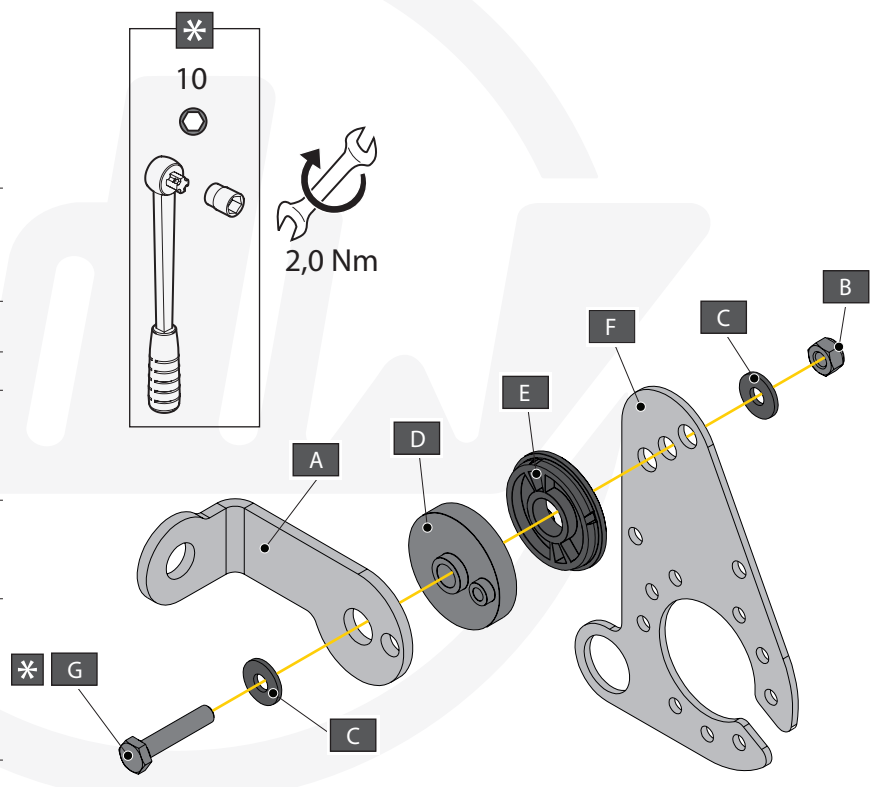


**X3 (TYPE F25) & X4 (TYPE F26)**



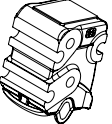







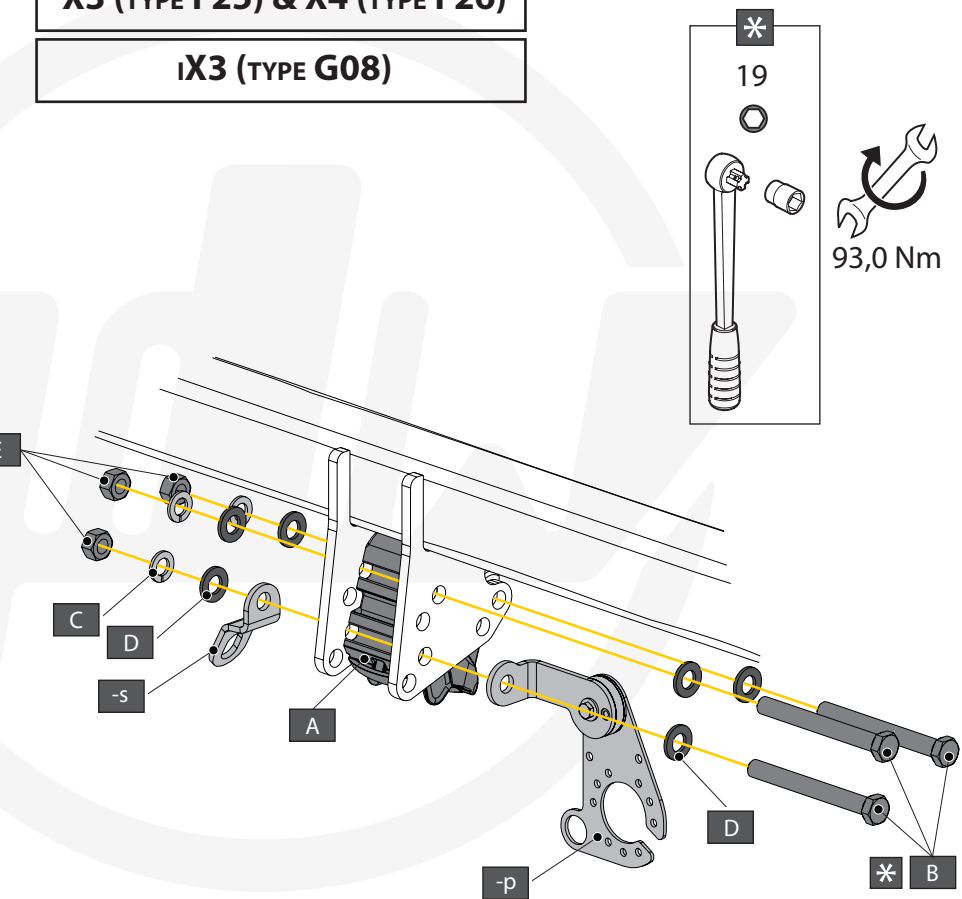
A		X1	GDW REF. 908.101
B		X1	DIN985-M6
C		X2	Ø15,4 X 6,2 X 1,6 (NYLON)
D		X1	GDW REF. 718.16.002
E		X1	GDW REF. 718.16.003
F		X1	GDW REF. 908.094
G		X1	DIN933-M6 X 30



**X3 (TYPE F25) & X4 (TYPE F26)**

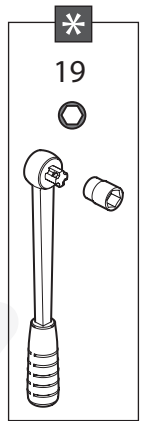
**IX3 (TYPE G08)**







A		X1	GDW REF. 912.003
B		X3	DIN931-M12X110-8.8
C		X3	DIN128A-M12
D		X6	DIN125A-M12
E		X3	DIN934-M12
-S		X1	GDW REF. 900.053

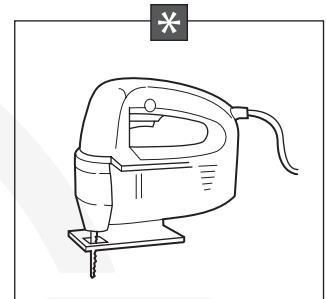
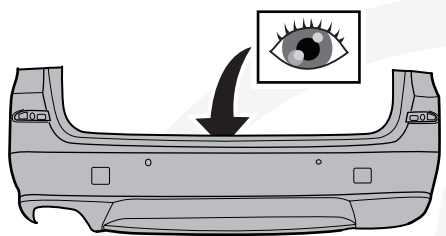
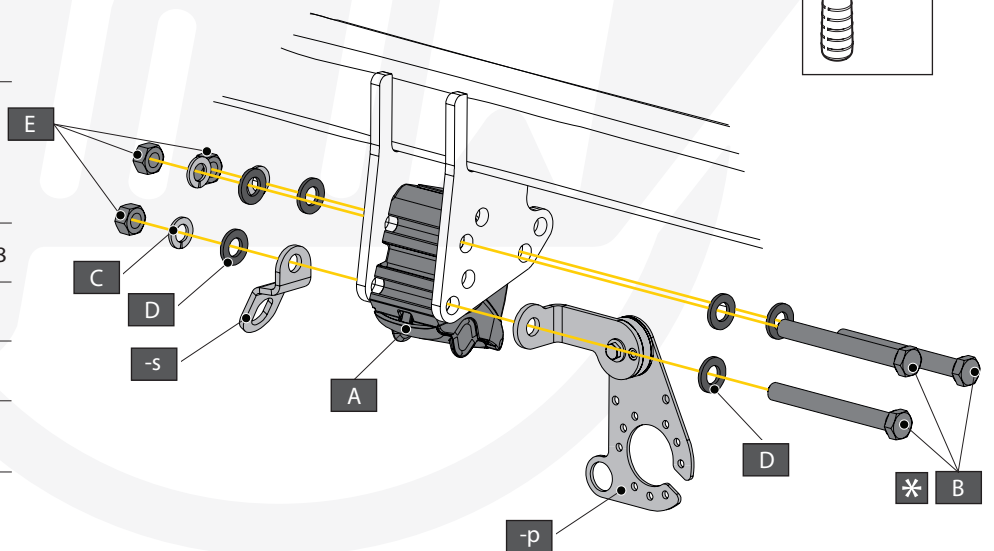


**X3 (TYPE G01)**

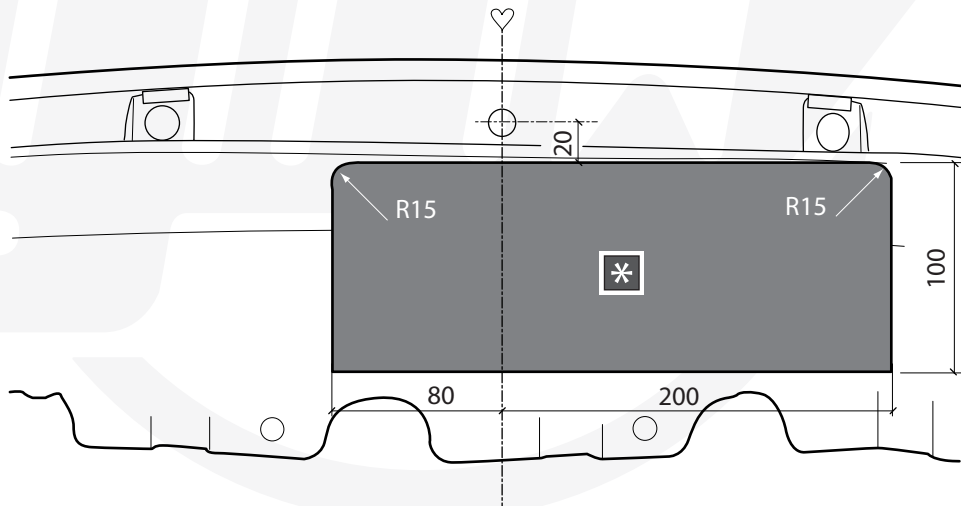
  
93,0 Nm

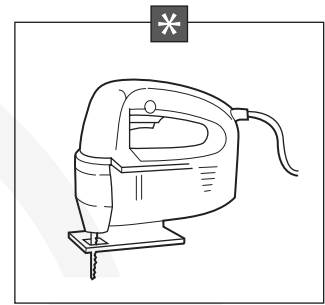
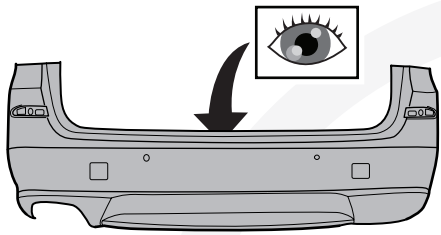


- A  X1 GDW REF. 912.003
- B  X3 DIN931-M12X110-8.8
- C  X3 DIN128A-M12
- D  X6 DIN125A-M12
- E  X3 DIN934-M12
- S  X1 GDW REF. 900.053

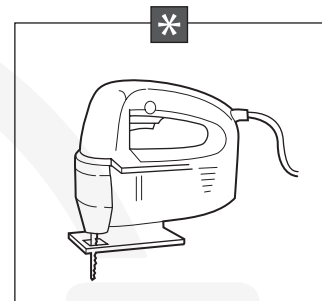
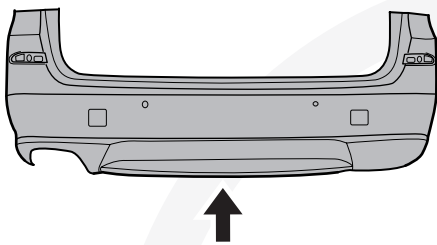
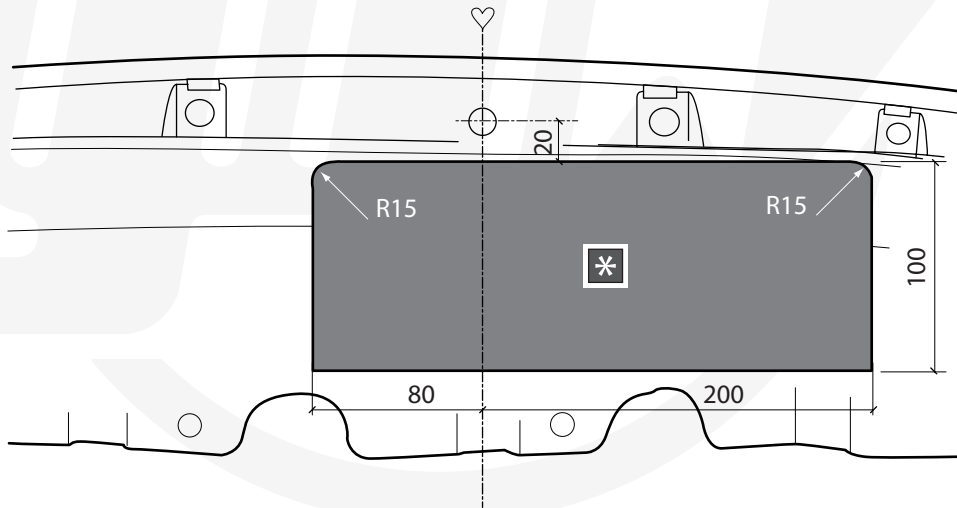


**BMW X3 Typ F25 11/'10 - 04/'14**

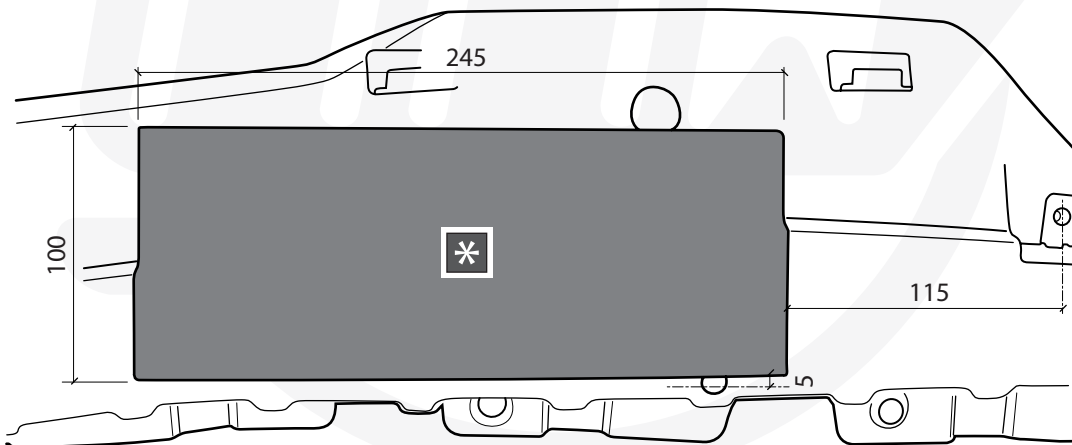


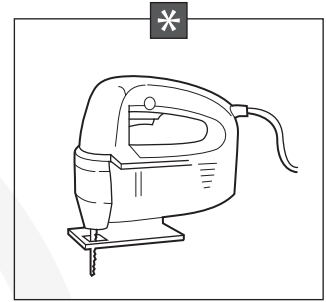
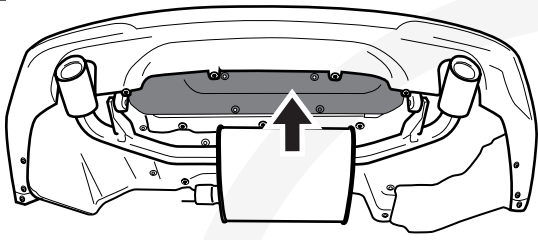


BMW X3 Typ F25 05/'14 -



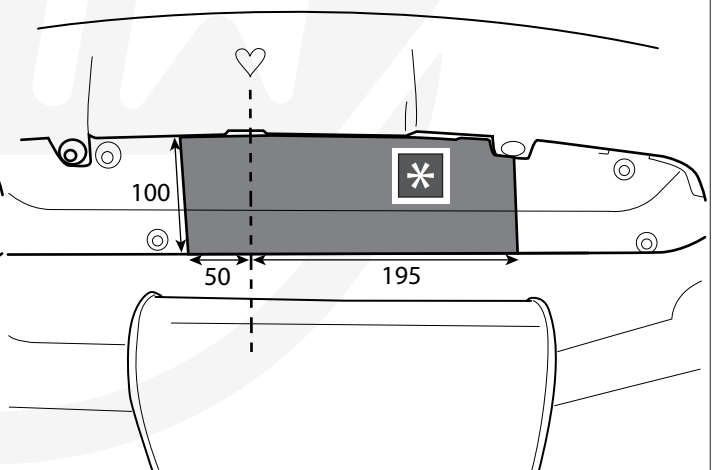
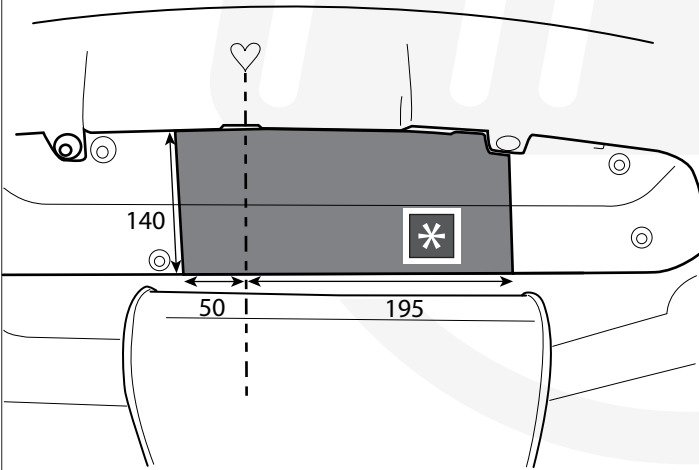
BMW X4 Typ F26 '14 -



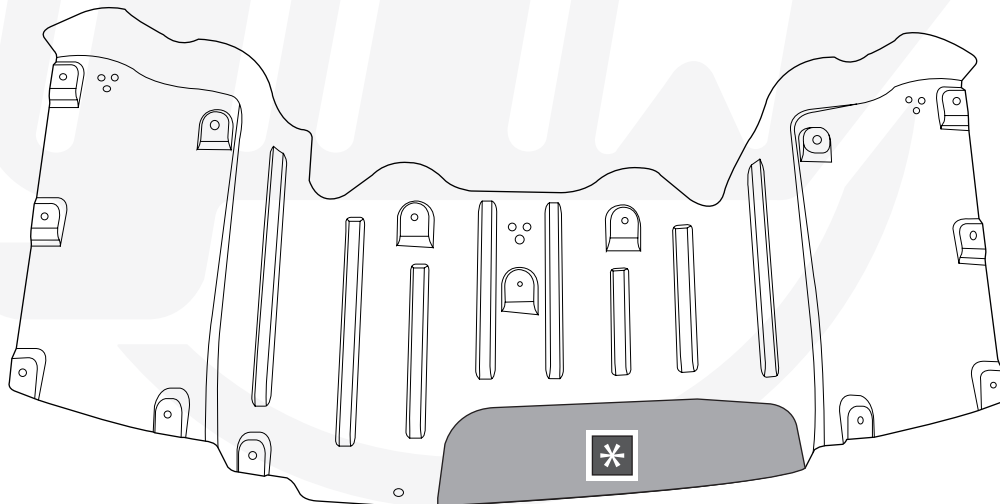
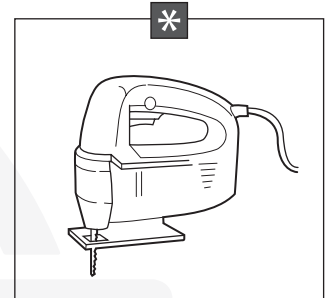
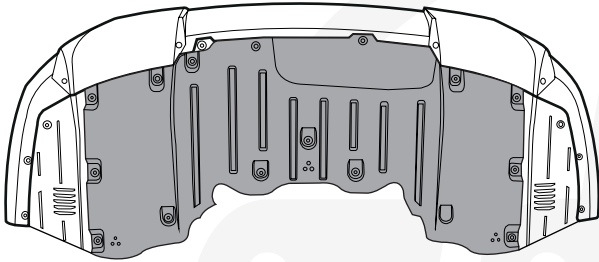


BMW X3 G01 '17 -  
M SPORT PACKAGE

BMW X3 G01 '17 -  
STANDARD BUMPER

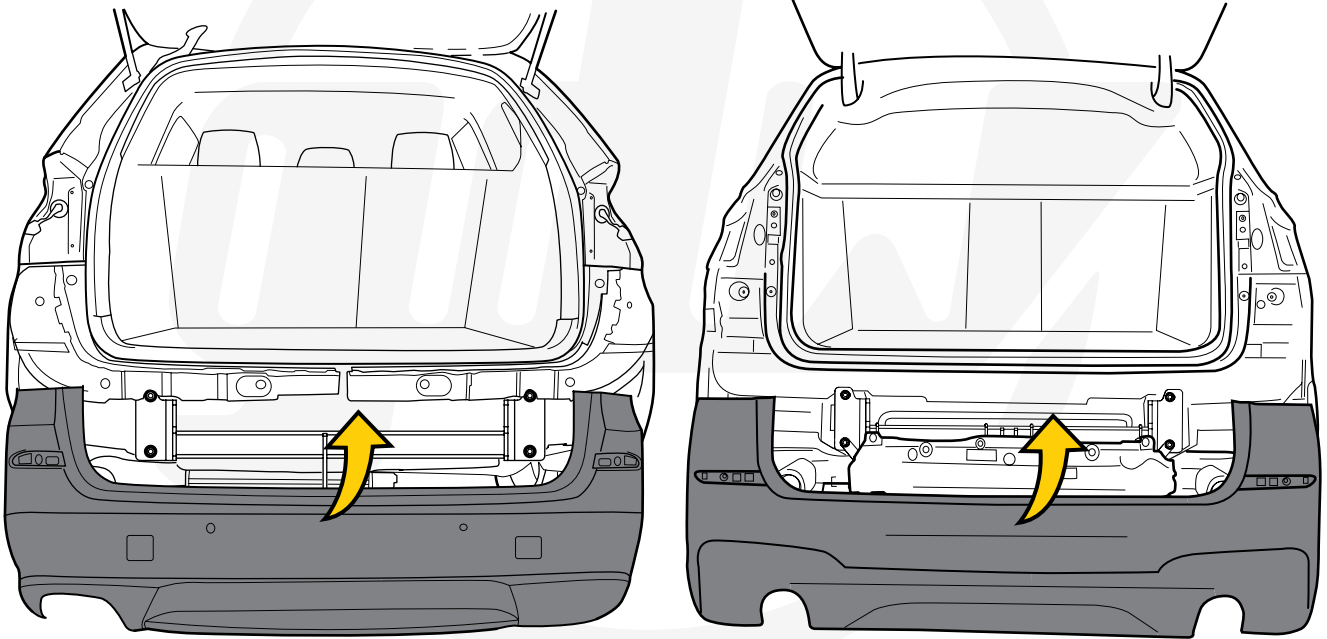


**iX3 (TYPE G08)**

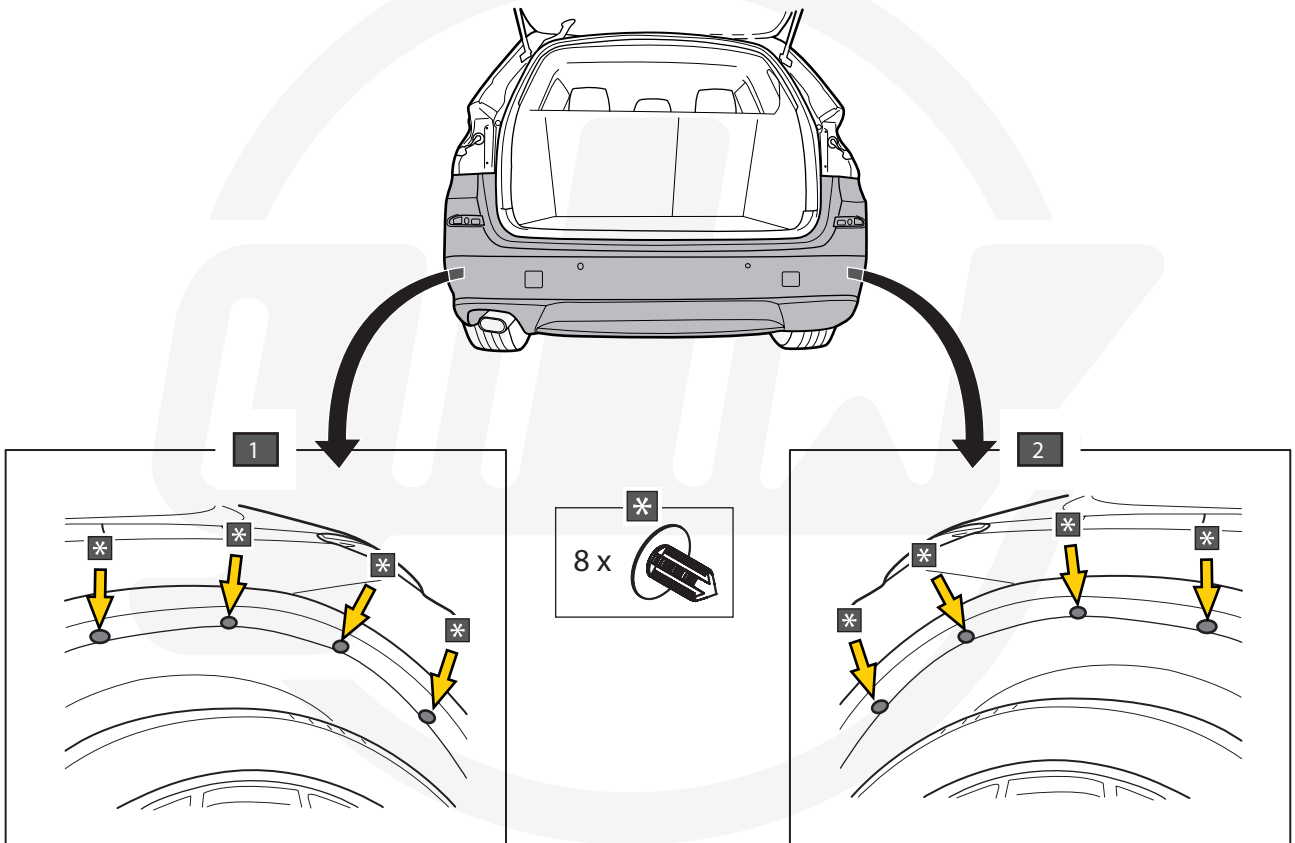


**X3 (TYPE F25) & X4 (TYPE F26)**

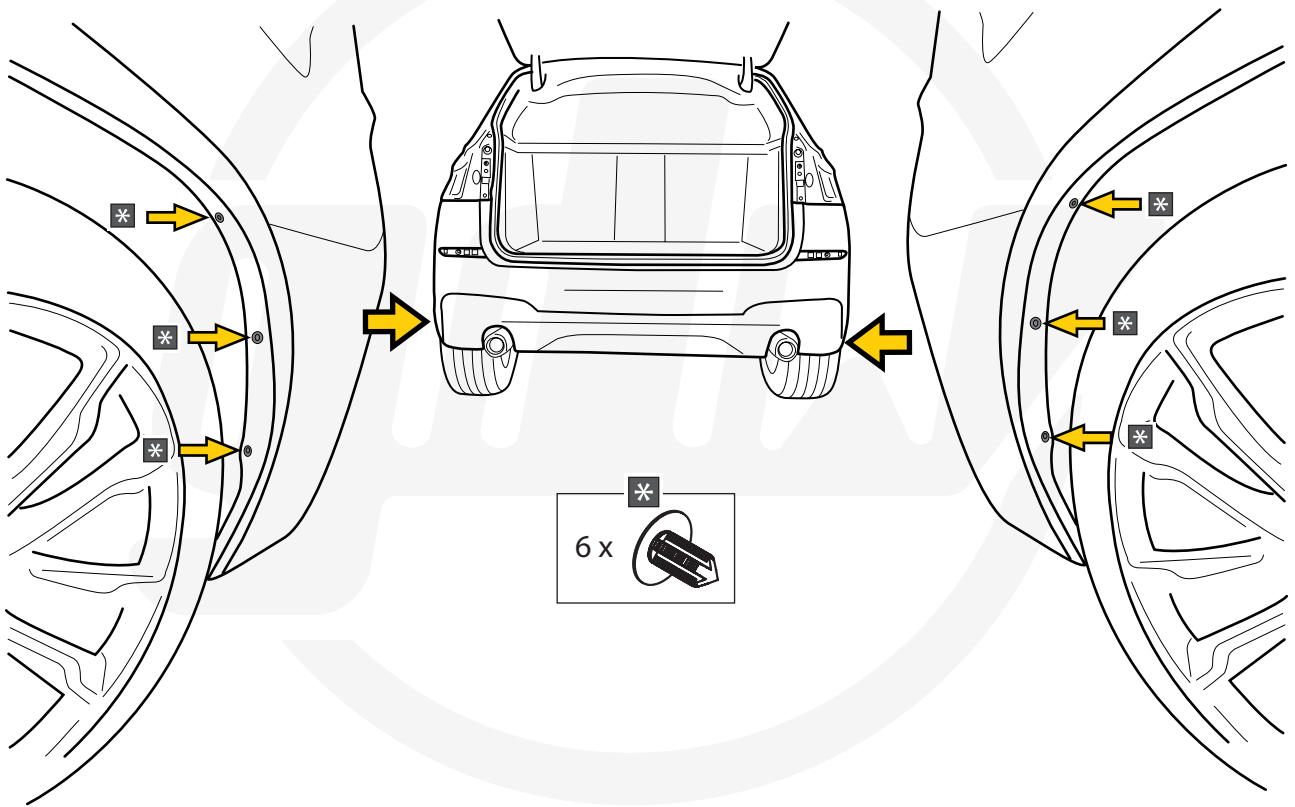
**X3 (TYPE G01) + iX3 (TYPE G08)**



**X3 (TYPE F25) & X4 (TYPE F26)**

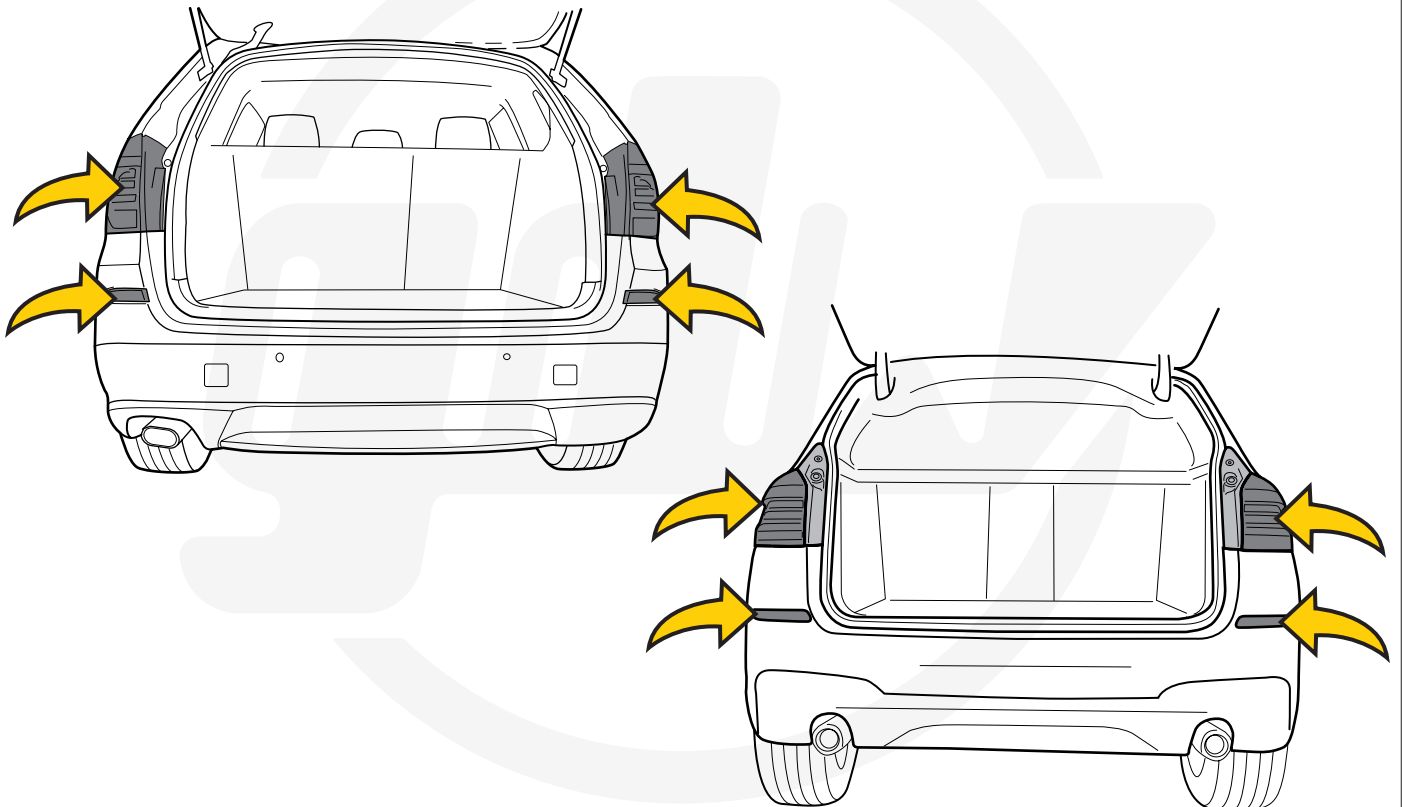


**X3 (TYPE G01) + iX3 (TYPE G08)**



**X3 (TYPE F25) & X4 (TYPE F26)**

**X3 (TYPE G01) + iX3 (TYPE G08)**





# DICHIARAZIONE DI CORRETTO MONTAGGIO

## DECLARATION OF CORRECT INSTALLATION

La sottoscritta ditta dichiara di aver montato in maniera corretta il dispositivo di traino di cui sotto, **seguendo le prescrizioni del costruttore del veicolo e del costruttore del dispositivo.**

*The undersigned company declares to have correctly mounted the towing device mentioned below, following the prescriptions of the vehicle manufacturer and the construction manufacturer.*

COSTRUTTORE	MANUFACTURER	<b>GDW N.V.</b>
RIFERIMENTO	REFERENCE	<b>2592T60</b>
AUTOVEICOLO	VEHICLE	<b>BMW X3 F25 + X4 F26 + X3 G01 + iX3 G08</b>
CLASSE E TIPO DI ATTACO	CLASS	<b>F</b>
APPROVAZIONE	HOMOLOGATION	<b>E6*55R02/00*1680*00</b>
VALORE D	D VALUE	<b>12,60 kN</b>

**Timbro e firma dell'installatore**  
**Stamp & signature of installer**

DATA .....

DATE

MASSA RIMORCHIABILE	TOWABLE MASS	<b>Vedere carta circolazione del veicolo</b> See registration certificate of vehicle
CARICO VERTICALE MAX. S	MAX. VERTICAL LOAD S	<b>115 kg</b>

Per facilitare il controllo della compatibilità del dispositivo di traino sul veicolo, è opportuno confrontare le masse riportate sulla carta di circolazione del veicolo con le masse di riferimento sotto riportate (**T** ed **C**):

*To simplify checking the compatibility of the towing device on the vehicle, it is advisable to compare the masses shown on the vehicle registration certificate with the reference masses shown below (T and C):*

**T** = Massa complessiva del veicolo in kg Total vehicle mass in kg

**C** = Massa rimorchiabile del veicolo in kg Towable mass of the vehicle in kg

Massa complessiva del veicolo, desunta dalla carta di circolazione (**F2**) in kg .....

*Total mass of the vehicle, taken from the registration certificate (F2)*

deve essere inferiore od uguale a quella di riferimento **T** (= ..... kg)

*must be less than or equal to the reference T*

Massa rimorchiabile del veicolo, desunta dalla carta di circolazione (**O1**) in kg .....

*Towable mass of the vehicle, taken from the registration certificate (O1)*

deve essere inferiore od uguale a quella di riferimento **C** (= ..... kg)

*must be less than or equal to the reference C*

Se tali condizioni sono verificate il dispositivo **è installabile.** *If these conditions are met, the device can be installed.*

Se tali condizioni non si verificano, si deve procedere al seguente calcolo:

*If these conditions are not met, the following calculation must be made:*

$$D = \frac{T \times C}{T + C} \times 0,00981 = \dots\dots\dots \text{ kN}$$

Se **D** risulta inferiore a **12,60 kN** (valore riportato sulla targhetta e sul presente documento) il dispositivo **può essere installato.**  
*If D is less than 12,60 kN (value shown on the plate and on this document) the device can be installed.*

NOTA ESPLICATIVA  
EXPLANATORY NOTE

