

FITTING INSTRUCTION

Clamp mark in acc. with		Cables joining
ISO	PN	
1	L	Left directional lights
2	+	Rear fog lights
3	31	Ground
4	R	Right directional lights
5	58R	Right side parking lights
6	54	Stoptlights
7	58L	Left side parking lights

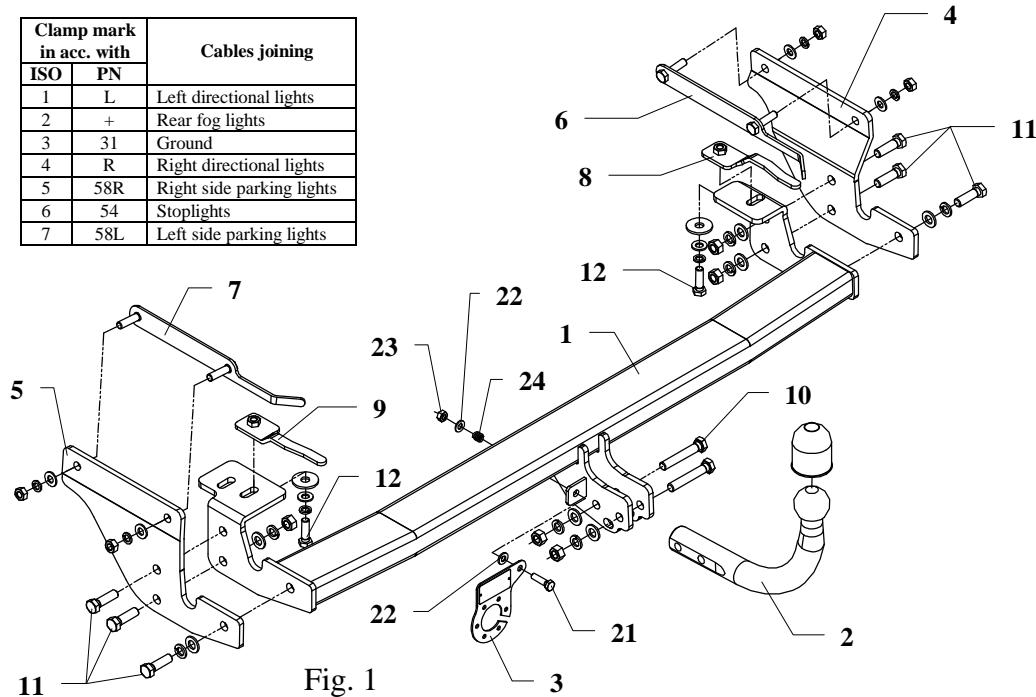


Fig. 1

This towing hitch is designed to assembly in following car:
FIAT STILO ESTATE, produced since 2003 till 2008, catalogue no. **R33**
 and is prepared to tow trailers max total weight **1300 kg** and max vertical load **60 kg**.

The instruction of the assembly

1. Disassemble the bumper and metal support.
2. Drill the holes $\varnothing 11$ outside the left and right chassis members (see the fig.2).
3. Position the left bracket (pos. 5) to the drilled holes in the left chassis member and element (pos. 4) to the drilled holes in the right one and fix it together with fish-plates (pos. 6 and 7) (Attention!!! Fish-plates 6 and 7 put inside the chassis members).
4. Position the main bar of towing hitch (pos. 1) and fix it using bolts M12x40mm (pos. 11) and together with jibs (pos. 8 and 9) using bolts M10x35mm (pos. 12).
5. Cut the metal support according to the fig. 3 and then reassemble it.
6. Cut the bumper according to the fig. 4 and then reassemble it.
7. Tighten all nuts and bolts according to the torque shown in the table.

8. Fix tow-ball (pos. 2) using bolts M12x70mm (pos. 10) from accessories.
9. Fix the socket plate (pos. 3) as shown on the drawing.
10. Connect to the electric wires according to the instructions of the car.
11. Complete the paint cover of towing hitch (during the mounting paint cover could be destroyed).

Torque settings for nuts and bolts (8,8):
M 8 - 25 Nm **M 10 - 55 Nm**
M 12 - 85 Nm **M 14 - 135 Nm**

NOTE

After install the towing hitch you should get adequate note in registration book (at authorised service station).The car should be equipped with:

- Indicators
- Tow mirrors

After 1000km check all bolts and nuts. The ball of towing hitch must be always kept clear and conserve with a grease.

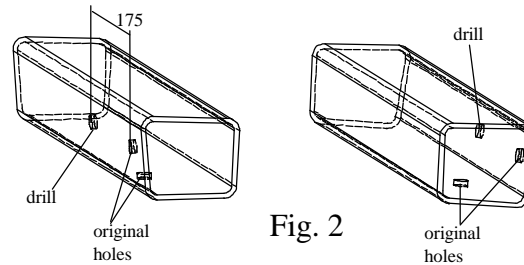


Fig. 2



Fig. 3

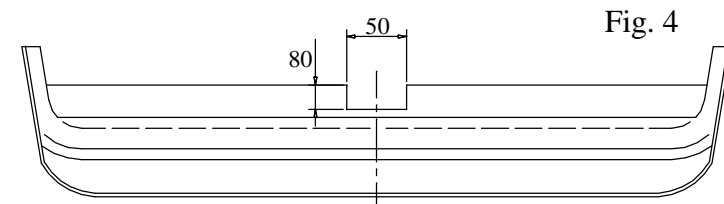
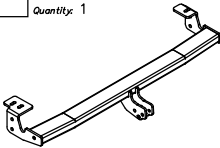
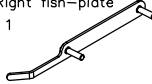


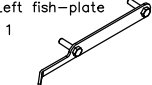



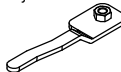






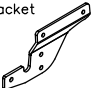
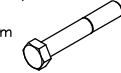


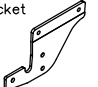
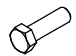





Fig. 4

Towing hitch accessories:

Pos. 1 Name: Main bar Quantity: 1 	Pos. 6 Name: Right fish-plate Quantity: 1 	Pos. 12 Name: Bolt 8,8 B Quantity: 2 Dim.: M10x35mm 	Pos. 18 Name: Spring washer Quantity: 8 Dim.: Ø 12,2 mm 
	Pos. 7 Name: Left fish-plate Quantity: 1 	Pos. 13 Name: Nut 8 B Quantity: 6 Dim.: M12 	Pos. 19 Name: Spring washer Quantity: 6 Dim.: Ø 10,2 mm 
Pos. 2 Name: Tow ball Quantity: 1 	Pos. 8 Name: Right jib Quantity: 1 	Pos. 14 Name: Nut 8 B Quantity: 4 Dim.: M10 	Pos. 20 Name: Ball cover Quantity: 1 
Pos. 3 Name: Socket plate Quantity: 1 	Pos. 9 Name: Left jib Quantity: 1 	Pos. 15 Name: Washer Quantity: 2 Dim.: Ø36xØ12x3mm 	Pos. 21 Name: Bolt 8,8 B Quantity: 1 Dim.: M8x30mm 
Pos. 4 Name: Right bracket Quantity: 1 	Pos. 10 Name: Bolt 8,8 B Quantity: 2 Dim.: M12x70mm 	Pos. 16 Name: Plain washer Quantity: 8 Dim.: Ø 13 mm 	Pos. 22 Name: Plain washer Quantity: 2 Dim.: Ø 8,5 mm 
Pos. 5 Name: Left bracket Quantity: 1 	Pos. 11 Name: Bolt 8,8 B Quantity: 6 Dim.: M12x40mm 	Pos. 17 Name: Plain washer Quantity: 6 Dim.: Ø 10,5 mm 	Pos. 23 Name: Nut 8 B Quantity: 1 Dim.: M8 
			Pos. 24 Name: Spring Quantity: 1 



PPUH AUTO-HAK S.J.

Produkcja Haków Holowniczych
Henryk & Zbigniew Nejman
76-200 SŁUPSK ul. Słoneczna 16K
tel/fax (059) 8-414-414; 8-414-413
E-mail: office@autohak.com.pl
www.autohak.com.pl

Towing hitch (without electrical set)

Class: **A50-X** Cat. no. **R33**

Designed for:

Manufacturer: **FIAT**

Model: **STILO**

Type: **ESTATE**

produced since 2003 till 2008

Technical data:

D-value: 7,6 kN

maximum trailer weight: **1300 kg**

maximum vertical cup load: **60 kg**

Approval number acc. to regulations EKG/ONZ 55.01: E20-55R-01 0821

Foreword

This towing hitch is designed according to rules of safety traffic regulations. The towing hitch is a safety component and must be installed only by qualified personnel. Any alteration or conversion to the towinh hitch is prohibited and would lead to cancellation of design certification. Remove insulating compound and underseal from vehicle (if present) in the area of the matting surfaces of the towing hitch.

The vehicle manufacturer's specifications regarding trailer load and max. vertical cup load are decisive for driving, and values for the towing hitch cannot be exceeded.

D-value formula:

$$\frac{\text{Max trailer weight [kg]} \times \text{Max vehicle weight [kg]}}{\text{Max trailer weight [kg]} + \text{Max vehicle weight [kg]}} \times \frac{9,81}{1000} = D \text{ [kN]}$$