

## FITTING INSTRUCTION

Clamp mark in acc. with		Cables joining
ISO	PN	
1	L	Left directional lights
2	+	Rear fog lights
3	31	Ground
4	R	Right directional lights
5	58R	Right side parking lights
6	54	Stoptlights
7	58L	Left side parking lights

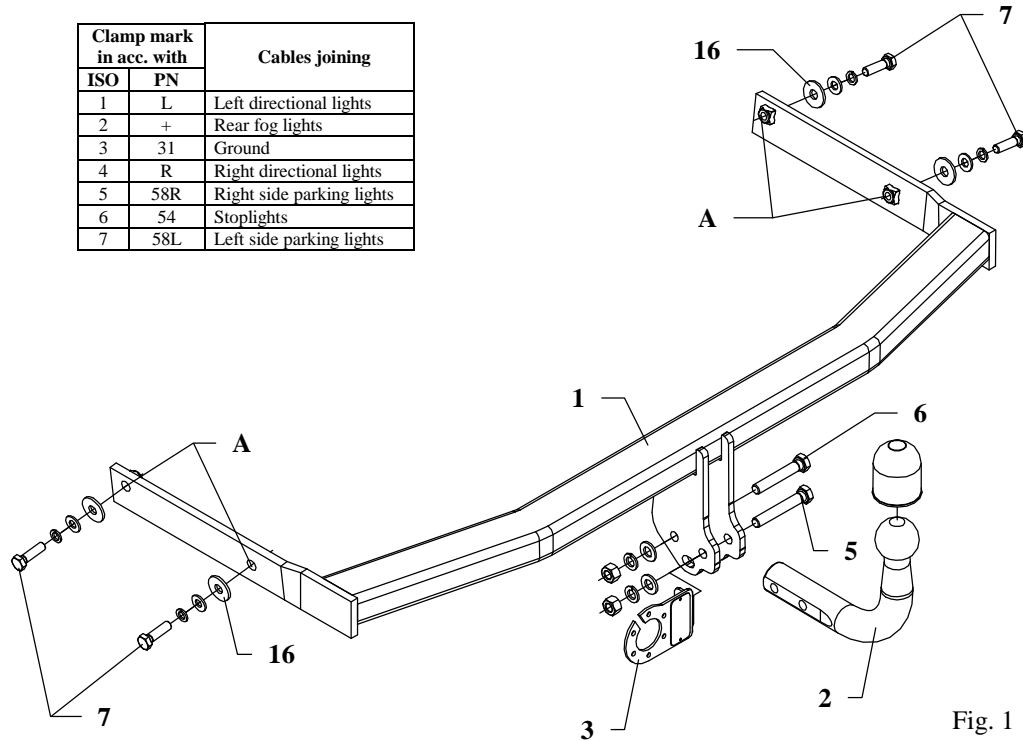


Fig. 1

This towing hitch is designed to assembly in following cars: **MAZDA series 5, 5 doors, VAN**, produced since 2005 till 02.2008, catalogue no. **M51** and is prepared to tow trailers max total weight **1600 kg** and max vertical load **75 kg**.

Torque settings for nuts and bolts (8,8):	
<b>M 8</b> - 25 Nm	<b>M 10</b> - 55 Nm
<b>M 12</b> - 85 Nm	<b>M 14</b> - 135 Nm

### From manufacturer

Thank you for buying our product. Their reliability has been confirmed in many tests. Reliability of towing hitch depends also on correct assembly and right operation. For this reasons we kindly ask to read carefully this instruction and apply to hints.

*The towing hitch should be install in points described by a car producer.*

## The instruction of the assembly

1. Disassemble a rear bumper together with its metal fulfillment (fulfillment will not be used any more).

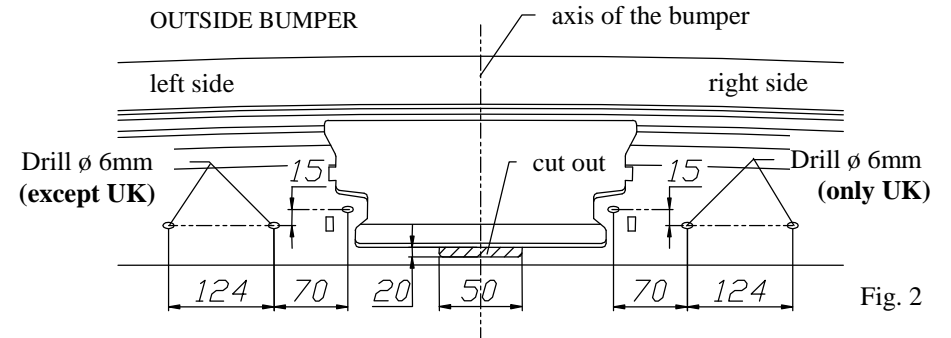


Fig. 2

2. From a bumper disassemble unit of rear fog light with framing.

3. In a bumper drill holes  $\phi$  6mm for fog light mounting and saw its fragments according to figure 2.

4. Assemble rear fog light as shown in figure 3 using sleeves (pos. 4) and bolts M5x60mm (pos. 8) from towing hitch accessories.

5. Slip the main bar of the towing hitch (pos. 1) to chassis frame and fix it in points A using bolts M10x35mm (pos. 7) as shown on the figure 1. Use washers (pos. 16).

6. Tighten all bolts according to the torque shown in the table.

7. Reassemble a bumper.

8. Fix tow-ball (pos. 2) with socket plate (pos. 3) using bolts M12x75mm (pos. 5) and M12x70mm (pos. 6) from accessories.

9. Connect electric wires of 7-poles socket according to the instruction of the car. (Recommend to make at authorized service station).

10. Complete paint layer damaged during installation.

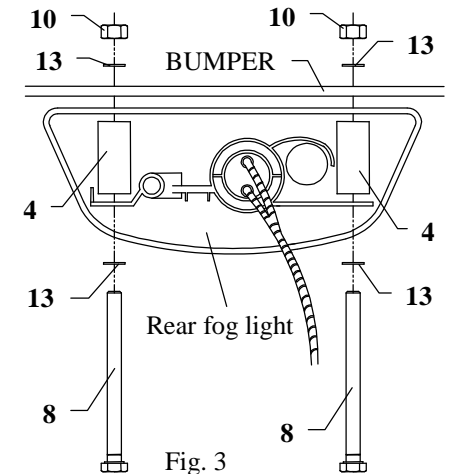


Fig. 3

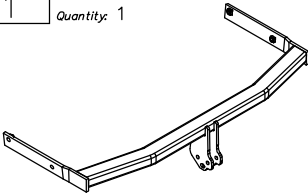
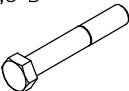

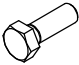

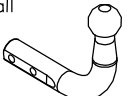
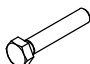

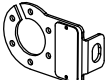





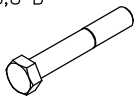


### NOTE

After install the towing hitch you should get adequate note in registration book (at authorised service station). The car should be equipped with:

- Indicators
- Tow mirrors

After 1000km of exploitation check all bolts and nuts. The ball of towing hitch must be always kept clear and conserve with a grease.

## Towing hitch accessories:

Pos. 1 Name: Main bar Quantity: 1 	Pos. 6 Name: Bolt 8,8 B Quantity: 1 Dim.: M12x70mm 	Pos. 12 Name: Plain washer Quantity: 4 Dim.: Ø 10,5 mm 
	Pos. 7 Name: Bolt 8,8 B Quantity: 4 Dim.: M10x35mm 	Pos. 13 Name: Plain washer Quantity: 4 Dim.: Ø 5,3 mm 
Pos. 2 Name: Tow ball Quantity: 1 	Pos. 8 Name: Bolt 8,8 B Quantity: 2 Dim.: M5x60mm 	Pos. 14 Name: Spring washer Quantity: 2 Dim.: Ø 12,2 mm 
Pos. 3 Name: Socket plate Quantity: 1 	Pos. 9 Name: Nut 8 B Quantity: 2 Dim.: M12 	Pos. 15 Name: Spring washer Quantity: 4 Dim.: Ø 10,2 mm 
Pos. 4 Name: Distance sleeve Quantity: 2 Dim.: Ø15x2mm L=41mm 	Pos. 10 Name: Nut 8 B Quantity: 2 Dim.: M5 	Pos. 16 Name: Washer Quantity: 4 Dim.: Ø32xØ12x3mm 
Pos. 5 Name: Bolt 8,8 B Quantity: 1 Dim.: M12x75mm 	Pos. 11 Name: Plain washer Quantity: 2 Dim.: Ø 13 mm 	Pos. 17 Name: Ball cover Quantity: 1 



**PPUH AUTO-HAK S.J.**

Produkcja Zaczepów Kulowych  
Henryk & Zbigniew Nejman  
76-200 SŁUPSK ul. Słoneczna 16K  
tel/fax (059) 8-414-414; 8-414-413  
E-mail: [office@autohak.com.pl](mailto:office@autohak.com.pl)  
[www.autohak.com.pl](http://www.autohak.com.pl)

## Towing hitch (without electrical set)

Class: **A50-X** Cat. no. **M51**

Designed for:

Manufacturer: **MAZDA**

Model: **series 5**

Type: **5 doors, VAN**

produced since 2005 till 02.2008

Technical data:

**D-value: 9,3 kN**

maximum trailer weight: **1600 kg**

maximum vertical cup load: **75 kg**

**Approval number according to Directive 94/20/EC: e20\*94/20\*0226\*00**

## Foreword

This towing hitch is designed according to rules of safety traffic regulations. The towing hitch is a safety component and can be install only by qualified personnel. Any alteration or conversion of the towing hitch is prohibited and would lead to cancellation of design certification. Remove insulating compound and underseal from vehicle (if present) in the area of the matting surfaces of the towing hitch. The vehicle manufacturer's specifications regarding trailer load and max. vertical cup load are decisive for driving whereat values for the towing hitch cannot be exceeded.

*D-value formula:*

$$\frac{\text{Max trailer weight [kg]} \times \text{Max vehicle weight [kg]}}{\text{Max trailer weight [kg]} + \text{Max vehicle weight [kg]}} \times \frac{9,81}{1000} = D \text{ [kN]}$$