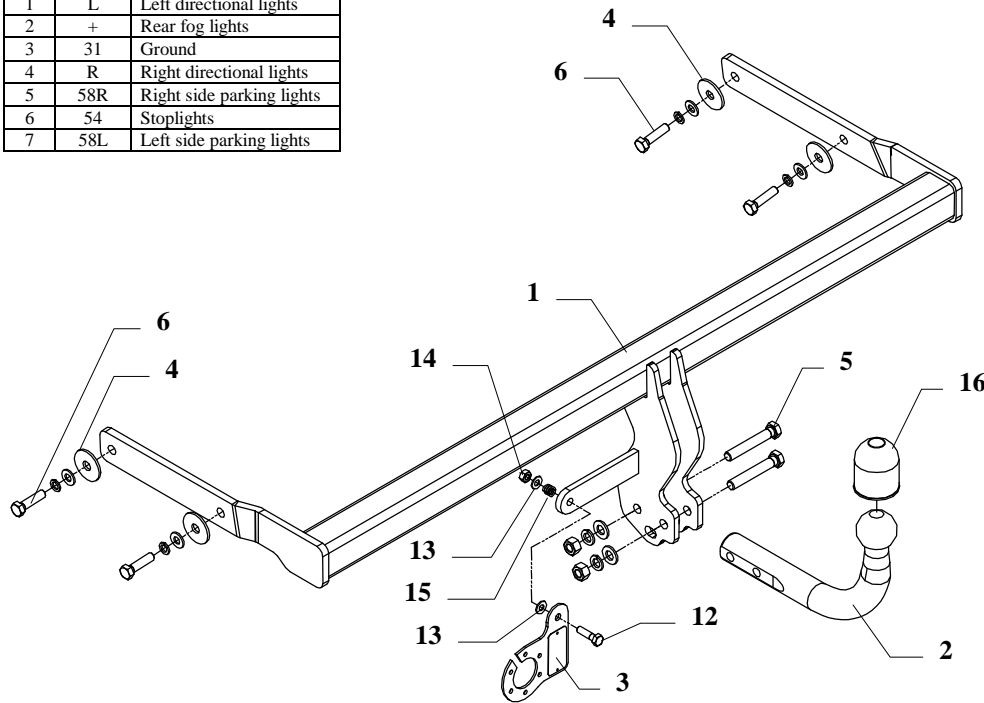


FITTING INSTRUCTION

Clamp mark in acc. with		Cables joining
ISO	PN	
1	L	Left directional lights
2	+	Rear fog lights
3	31	Ground
4	R	Right directional lights
5	58R	Right side parking lights
6	54	Stoplights
7	58L	Left side parking lights



This towbar is designed to assembly in following car:
RENAULT MEGANE 4 doors, produced since 2003, catalogue no. **G43**
 and is prepared to tow trailers max total weight **1300 kg** and max vertical load **75 kg**.

From manufacturer

Thank you for buying our product. Their reliability has been confirmed in many tests. Reliability of towbar depends also on correct assembly and right operation. For this reasons we kindly ask to read carefully this instruction and apply to hints.

The towbar should be install in points described by a car producer.

Fitting instructions

1. Disassemble a bumper and metal reinforcement (not used any more).
2. Slip main bar of the towbar (pos. 1) to chassis members and next screw it using bolts M10x40mm (pos. 6) from accessories (use flat washers – pos. 4).
3. Assemble a bumper.
4. Fix tow-ball (pos. 2) and using bolts M12x75mm (pos. 5) from accessories.
5. Fix the socket plate (pos. 3) as shown on the drawing.
6. Tighten all bolts according to the torque shown in the table.
7. Connect electric wires of 7-poles socket according to the instruction of the car. (Recommend to make at authorized service station)
8. Complete the paint coating damaged during instalment.

Torque settings for nuts and bolts (8,8):

M 8	25 Nm	M 10	55 Nm
M 12	85 Nm	M 14	135 Nm

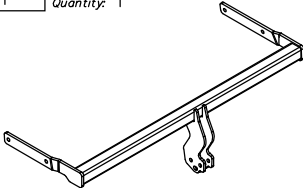
NOTE

After install the towbar you should get adequate note in registration book (at authorised service station).The car should be equipped with:

- Indicators
- Tow mirrors

After 1000km check all bolts and nuts. The ball of towbar must be always kept clear and conserve with a grease.

Towbar accessories:

Pos. 1	Name: Main bar Quantity: 1	Pos. 5	Name: Bolt 8,8 B Quantity: 2 Dim. : M12x75mm	Pos. 11	Name: Spring washer Quantity: 4 Dim. : Ø 10,2 mm
		Pos. 6	Name: Bolt 8,8 B Quantity: 4 Dim. : M10x40mm	Pos. 12	Name: Bolt 8,8 B Quantity: 1 Dim. : M8x30mm
Pos. 2	Name: Tow ball Quantity: 1	Pos. 7	Name: Nut 8 B Quantity: 2 Dim. : M12	Pos. 13	Name: Plain washer Quantity: 2 Dim. : Ø 8,5 mm
Pos. 3	Name: Socket plate Quantity: 1	Pos. 8	Name: Plain washer Quantity: 2 Dim. : Ø 13 mm	Pos. 14	Name: Nut 8 B Quantity: 1 Dim. : M8
Pos. 4	Name: Washer Quantity: 4 Dim. : Ø 42x12x3 mm	Pos. 9	Name: Plain washer Quantity: 4 Dim. : Ø 10,5 mm	Pos. 15	Name: Spring Quantity: 1
		Pos. 10	Name: Spring washer Quantity: 2 Dim. : Ø 12,2 mm	Pos. 16	Name: Ball cover Quantity: 1



PPUH AUTO-HAK S.J.

Produkcja Haków Holowniczych
Henryk & Zbigniew Nejman
76-200 SŁUPSK ul. Słoneczna 16K
tel/fax (059) 8-414-414; 8-414-413
E-mail: office@autohak.com.pl
www. autohak.com.pl

Towing hitch (without electrical set)

Class: **A50-X** Cat. no. **G43**

Designed for:

Manufacturer: **RENAULT**

Model: **MEGANE**

Type: **4 doors**

produced since 2003

Technical data:

D-value: 7,48 kN

maximum trailer weight: **1300 kg**

maximum vertical cup load: **75 kg**

Approval number acc. to regulations EKG/ONZ 55.01: E20-55R-01 1080

Foreword

This towbar is designed according to rules of safety traffic regulations. The towing hitch is a safety component and can be install only by qualified personnel. Any alteration or conversion of the towing hitch is prohibited and would lead to cancellation of design certification. Remove insulating compound and underseal from vehicle (if present) in the area of the matting surfaces of the towing hitch.

The vehicle manufacturer's specifications regarding trailer load and max. vertical cup load are decisive for driving, and values for the towing hitch cannot be exceeded.

D-value formula:

$$\frac{\text{Max trailer weight [kg]} \times \text{Max vehicle weight [kg]}}{\text{Max trailer weight [kg]} + \text{Max vehicle weight [kg]}} \times \frac{9,81}{1000} = D \text{ [kN]}$$